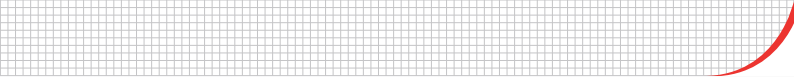




R478-R478M
R473-R473M



-
- ▶ 1. _____
 - ▶ 2. _____
 - ▶ 4. _____
 - ▶ 4. _____
 - ▶ 5. _____
 - ▶ 7. _____
 - ▶ 7. _____



R478-R478M

R473-R473M

GIACOMINI

GIACOMINI
R473 - R473M -

: R478 - R478M -

(
R478

, R478M
, R478V

R478VM

1



R478



R478M

(
) R473 , R473M
 , R473V

R473VM



R473



R473M

R478

B.T. 73/23/CEE 93/68/CEE ENEC 03

-
- : " "
- - (NO)
- 2,4mm
- 2
- 4 kV
- IP40
- II
- H05 W-F, 60cm
- 25°C 230V 2 min.
- 25°C 24V 3 min.
- -5°C +50°C
- -20°C +65°C
- -5°C +90°C
- () PBT V0-UL94
- ()
- () GIACOMINI
- ()



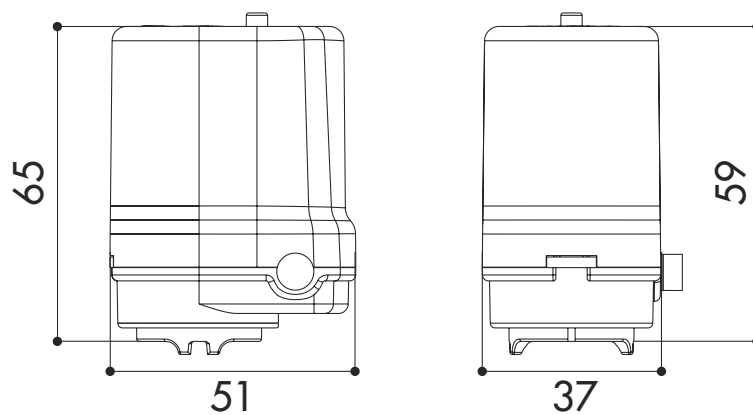
R478-R478M R473-R473M

R473

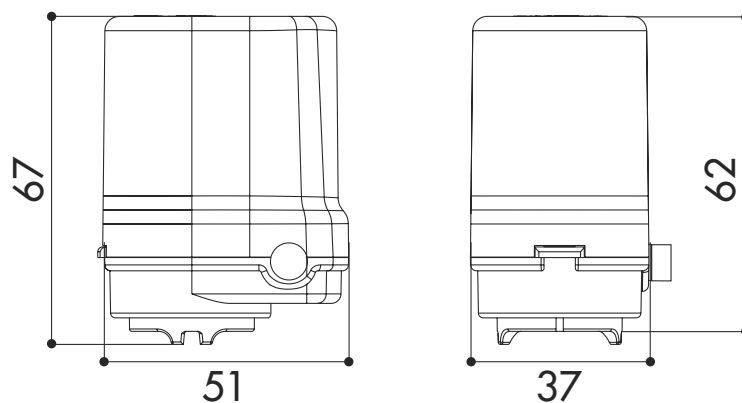
- B.T. 73/23/CEE 93/68/CEE ENEC 03
- : “ ”
- (N)
- 2,4mm
- 2
- 4 kV
- IP40
- II
- H05 W-F, 60cm
- 25°C 230V 2 min.
- 25°C 24V 3 min.
- -5°C +50°C
- -20°C +65°C
- -5°C +90°C
- () PBT V0-UL94
- ()
- () GIACOMINI
- ()

				12 min.	25°C		NC	
R478X101	3,5W	230V 50Hz	≤1A	≤0,015A	1200Ω ± 35%	2x0,75mmq		
R478X102	3W	24V 50Hz	≤0,8A	≤0,125A	40Ω ± 25%	2x0,75mmq		
R478MX001	3,5W	230V 50Hz	≤1A	≤0,015A	1200Ω ± 35%	4x0,75mmq	1,5A 250Vac	
R478MX002	3W	24V 50Hz	≤0,8A	≤0,025A	40Ω ± 25%	4x0,75mmq	1,5A 250Vac	
R478VX101	3,5W	230V 50Hz	≤1A	≤0,015A	1200Ω ± 35%	2x0,75mmq		S10K250
R478VX001	3,5W	230V 50Hz	≤1A	≤0,015A	1200Ω ± 35%	4x0,75mmq	1,5A 250Vac	S10K250
R473X101	3,5W	230V 50Hz	≤1A	≤0,015A	1200Ω ± 35%	2x0,75mmq		
R473X102	3W	24V 50Hz	≤0,8A	≤0,025A	40Ω ± 25%	2x0,75mmq		
R473MX001	3,5W	230V 50Hz	≤1A	≤0,015A	1200Ω ± 35%	4x0,75mmq	1,5A 250Vac	
R473MX002	3W	24V 50Hz	≤0,8A	≤0,025A	40Ω ± 25%	4x0,75mmq	1,5A 250Vac	
R473VX101	3,5W	230V 50Hz	≤1A	≤0,015A	1200Ω ± 35%	2x0,75mmq		S10K250
R473VX001	3,5W	230V 50Hz	≤1A	≤0,015A	1200Ω ± 35%	4x0,75mmq	1,5A 250Vac	S10K250

R478-R478M



R473-R473M



4

1-

2-

3-

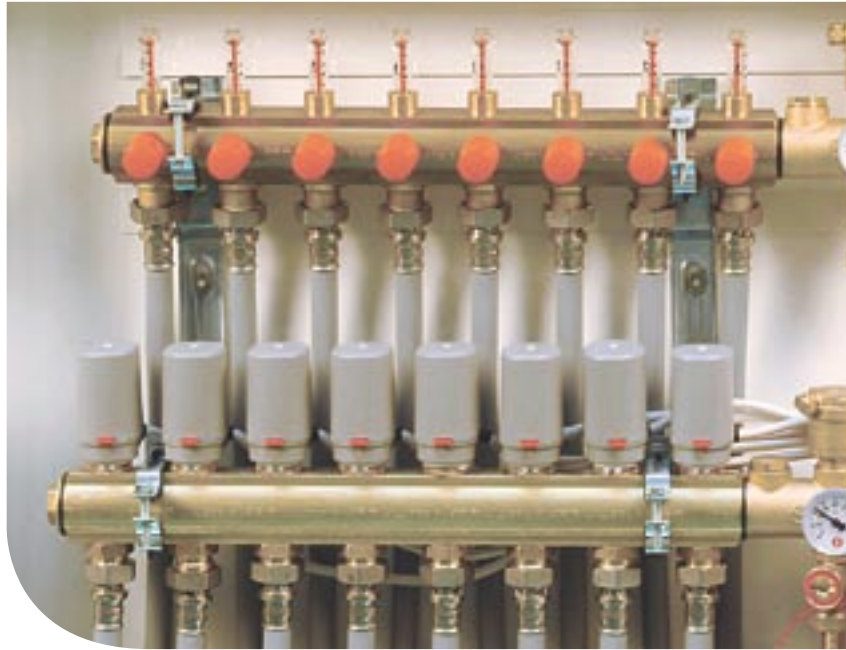
4-

15°

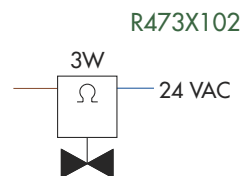
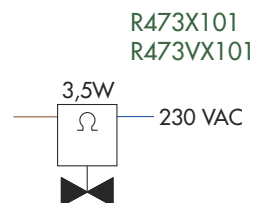
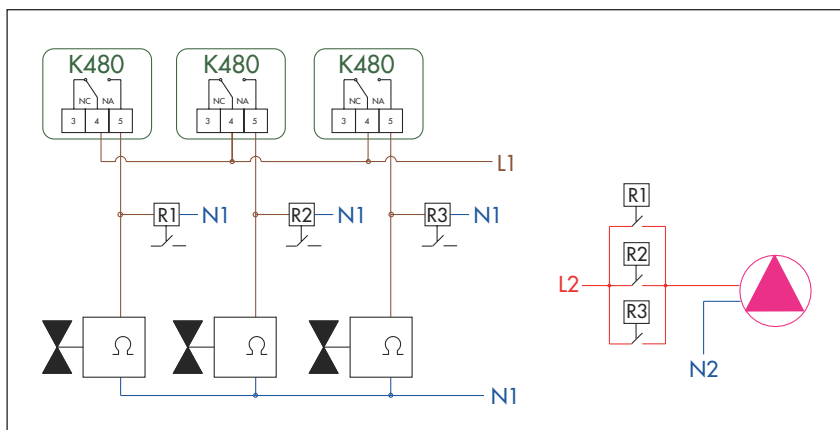
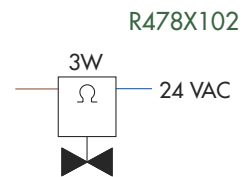
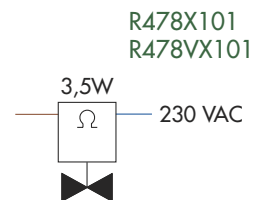
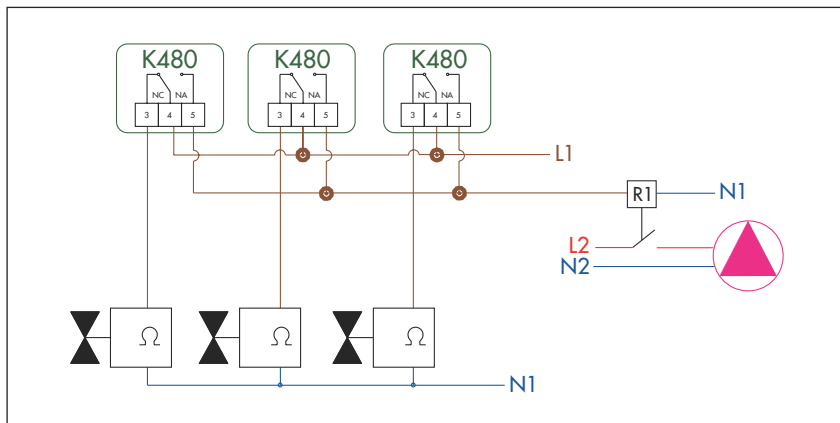
15°



R478-R478M R473-R473M



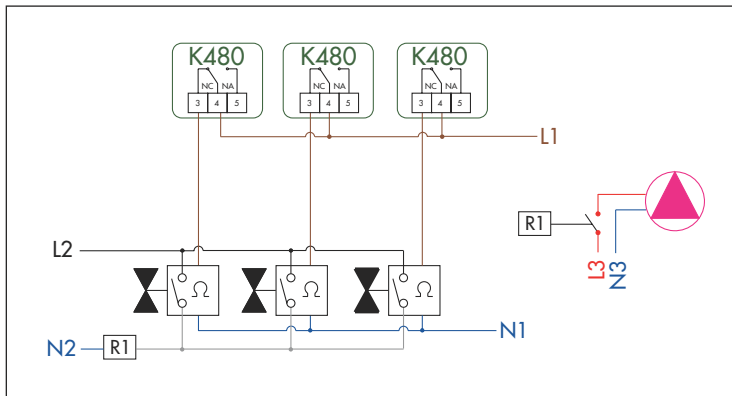
5



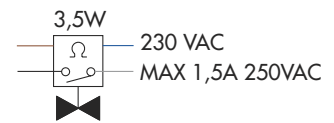
R478 473
(230V)

PM100,

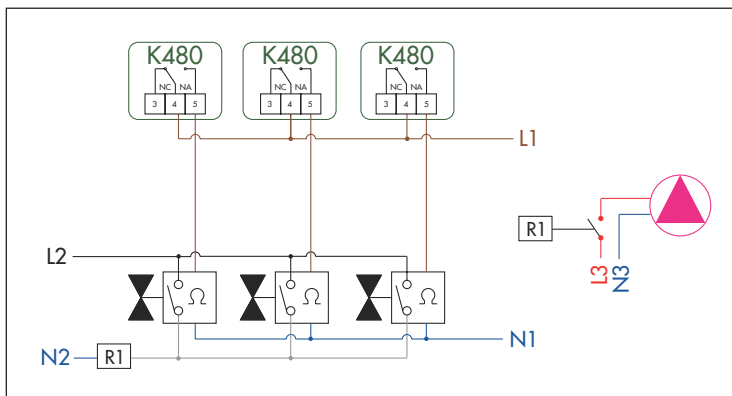
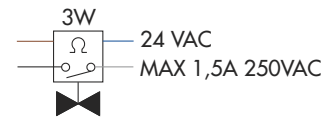
8



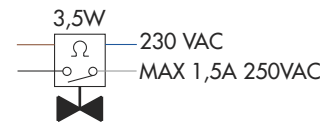
R478MX001
R478VX001



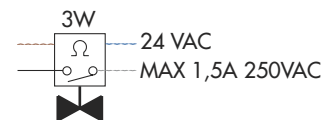
R478MX002



R473MX001
R473VX001



R478MX002



R478M R473M

R478M

R473M

6



R478-R478M R473-R473M

GIACOMINI

R478 230V

(GIACOMINI)
 H05 W-F 60cm, - 2,
 IP40, II, 2,4mm.
 4 kV. 25°C 2 min.
 -5°C +50°C. -20°C +65°C.
 -5°C +90°C. B.T.
 73/23/CEE 93/68/CEE ENEC 03

R478 24V

(GIACOMINI)
 H05 W-F 60cm, - 2,
 IP40, II, 2,4mm.
 4 kV. 25°C 3 min.
 -5°C +50°C. -20°C +65°C.
 -5°C +90°C. B.T.
 73/23/CEE 93/68/CEE ENEC 03

R478M 230V

()
 (GIACOMINI)
 H05 W-F 60cm, - 2,
 IP40, II, 2,4mm.
 4 kV. 25°C 2 min.
 -5°C +50°C. -20°C +65°C.
 -5°C +90°C. B.T.
 73/23/CEE 93/68/CEE ENEC 03

R478M 24V

(GIACOMINI)				PBTV0-UL 94()
H05 W-F		60cm,			-	2,
IP40,	II,			2,4mm.		
4 kV.	25°C	3 min.				
-5°C +50°C.					-20°C	+65°C.
	-5°C +90°C.					B.T.
73/23/CEE	93/68/CEE	ENEC 03				

R478V 230V

(GIACOMINI)				PBTV0-UL 94()
H05 W-F		60cm,			-	2,
IP40,	II,			2,4mm.		
4 kV.	25°C	2 min.				
-5°C +50°C.					-20°C	+65°C.
	-5°C +90°C.					B.T.
73/23/CEE	93/68/CEE	ENEC 03				

R478MV 230V

(GIACOMINI)				PBTV0-UL 94()
H05 W-F		60cm,			-	2,
IP40,	II,			2,4mm.		
4 kV.	25°C	2 min.				
-5°C +50°C.					-20°C	+65°C.
	-5°C +90°C.					B.T.
73/23/CEE	93/68/CEE	ENEC 03				

R473 230V

(GIACOMINI)				PBTV0-UL 94()
H05 W-F		60cm,			-	2,
IP40,	II,			2,4mm.		
4 kV.	25°C	2 min.				
-5°C +50°C.					-20°C	+65°C.
	-5°C +90°C.					B.T.
73/23/CEE	93/68/CEE	ENEC 03				

R473 24V

(GIACOMINI)				PBTV0-UL 94()
H05 W-F		60cm,			-	2,
IP40,	II,			2,4mm.		
4 kV.	25°C	3 min.				
-5°C +50°C.					-20°C	+65°C.
	-5°C +90°C.					B.T.
73/23/CEE	93/68/CEE	ENEC 03				



R478-R478M R473-R473M

R473M 230V

()
 (GIACOMINI)
 H05 W-F 60cm, , - 2,
 IP40, II, 2,4mm.
 4 kV. 25°C 2 min.
 -5°C +50°C. -20°C +65°C.
 -5°C +90°C. B.T.
 73/23/CEE 93/68/CEE ENEC 03

R473M 24V

()
 (GIACOMINI)
 H05 W-F 60cm, , - 2,
 IP40, II, 2,4mm.
 4 kV. 25°C 3 min.
 -5°C +50°C. -20°C +65°C.
 -5°C +90°C. B.T.
 73/23/CEE 93/68/CEE ENEC 03

R473V 230V

()
 (GIACOMINI)
 H05 W-F 60cm, , - 2,
 IP40, II, 2,4mm.
 4 kV. 25°C 2 min.
 -5°C +50°C. -20°C +65°C.
 -5°C +90°C. B.T.
 73/23/CEE 93/68/CEE ENEC 03

R473MV 230V

()
 (GIACOMINI)
 H05 W-F 60cm, , - 2,
 IP40, II, 2,4mm.
 4 kV. 25°C 2 min.
 -5°C +50°C. -20°C +65°C.
 -5°C +90°C. B.T.
 73/23/CEE 93/68/CEE ENEC 03



GIACOMINI SPA

Via per Alzo,39

28017 San Maurizio d'Opaglio (NO) ITALY

tel. 0322 923111 - fax 0322 96256

e-mail: info@giacomini.com

internet: www.giacomini.com

1618

· ” ”
· “ ” 253

./ : 02 / 85 69 174

· .: +359 878 20 55 33

sales@terratherm-bg.com

www.terratherm-bg.com