



THERMO-FLOOR

R508M

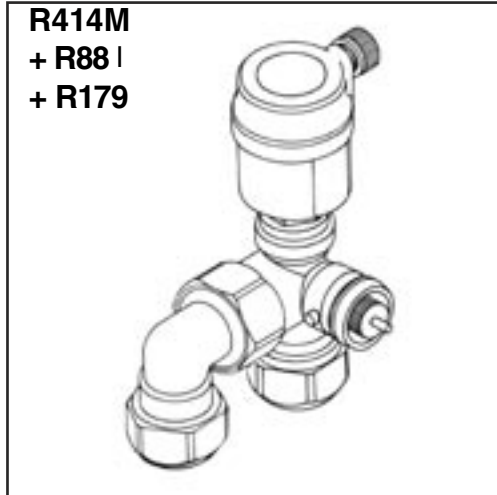
"Thermo-floor"
R508M,

R414M R414D.

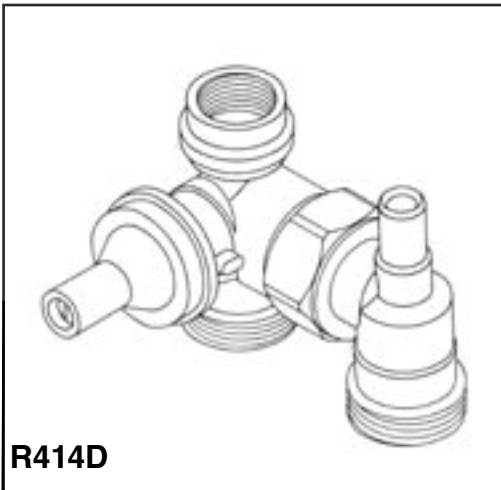
R179, R179AM R178,

R88I.

40

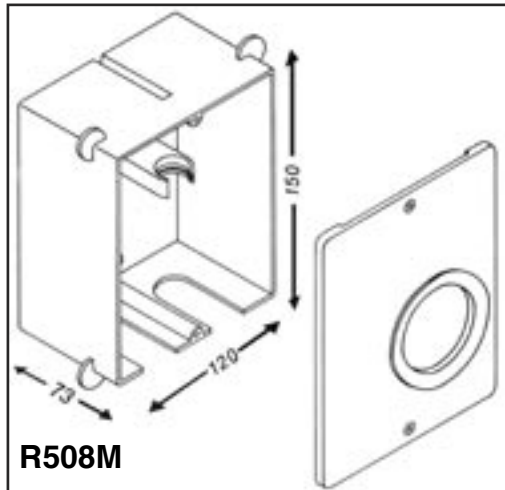


R414M - R508M,
R88I R179/R178.



R414D

R414D - R508M,



R508M

R508M

: 10 bar

: 15 bar

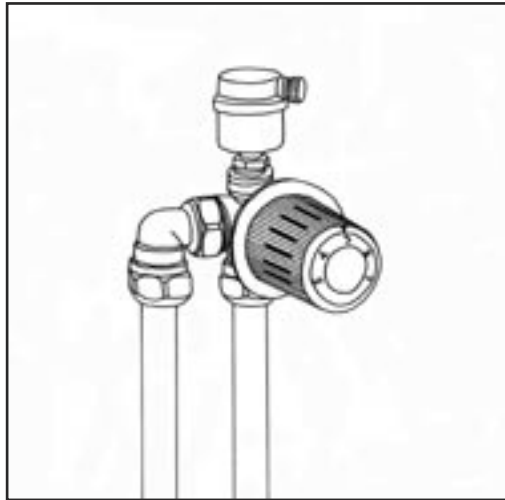
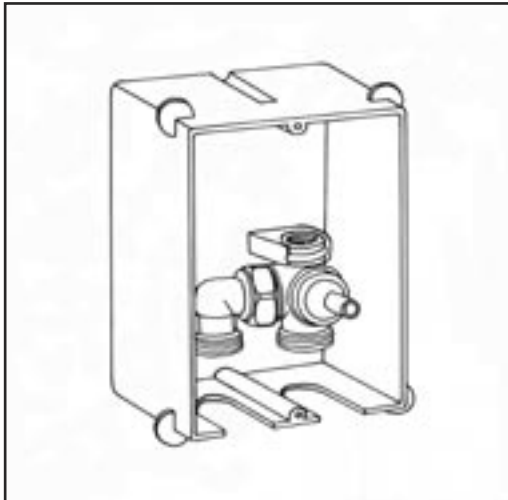
: ~ 0,3°

: 1 bar

: 8° ÷ 32°C

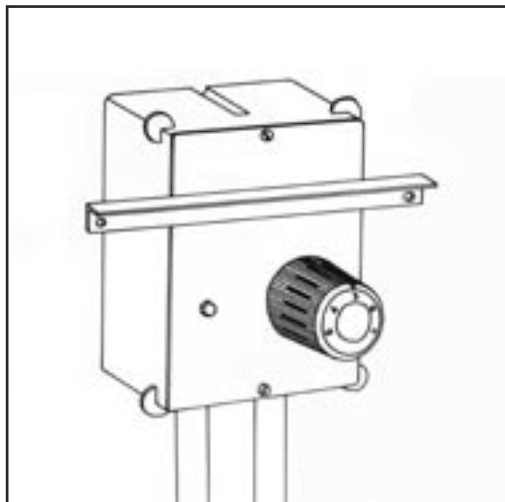
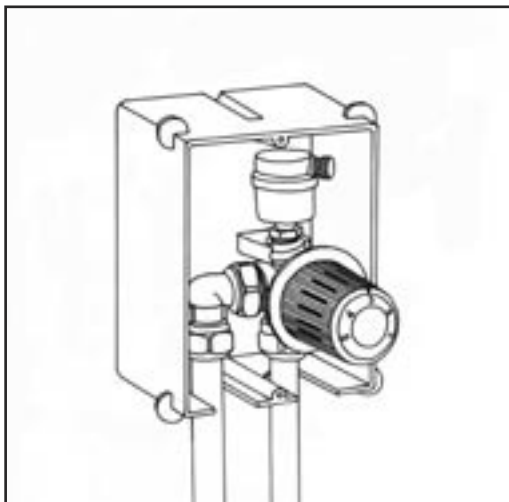
58,

R508M



R508M

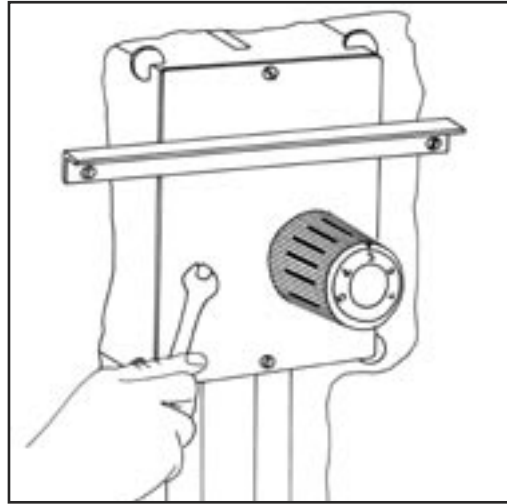
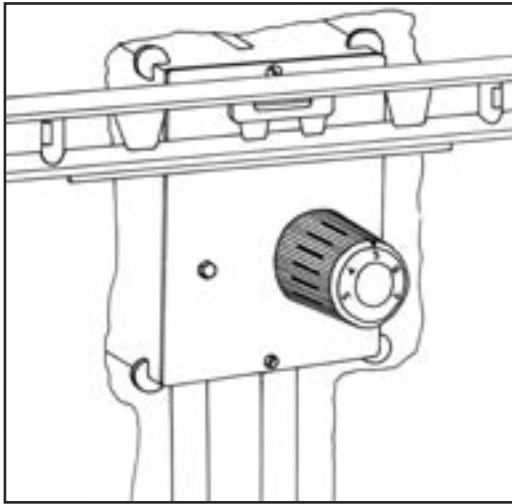
R88I
R456



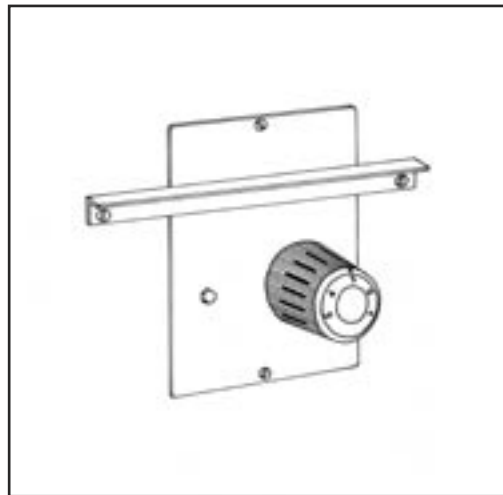
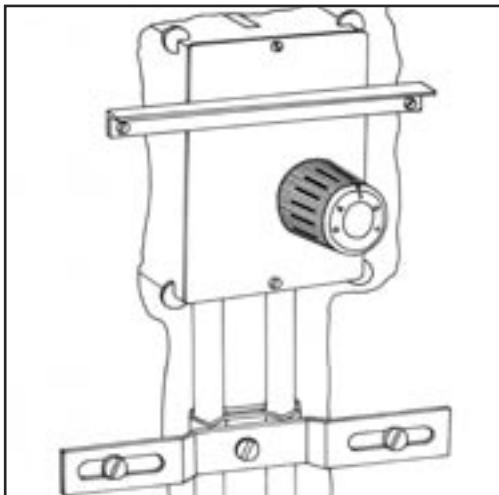
R504

R508M.

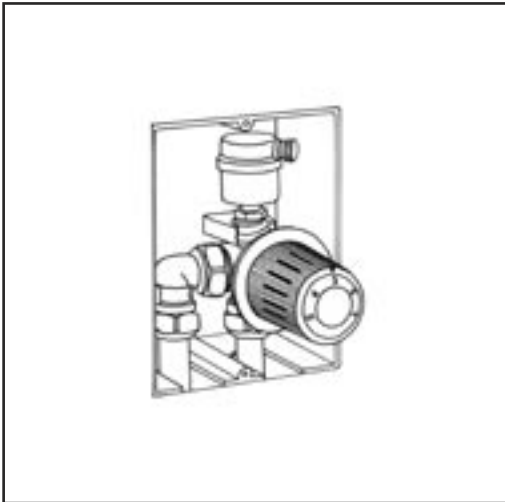
R508M



R456.



R508M



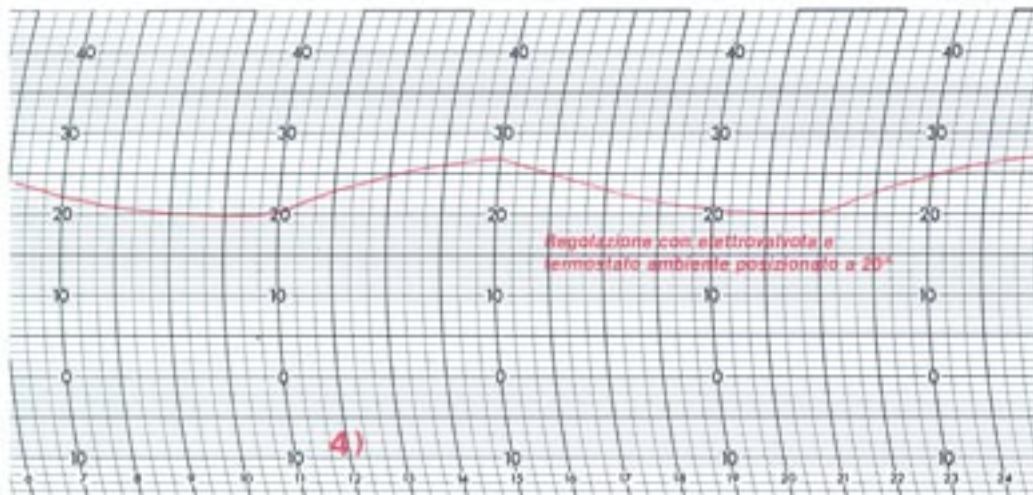
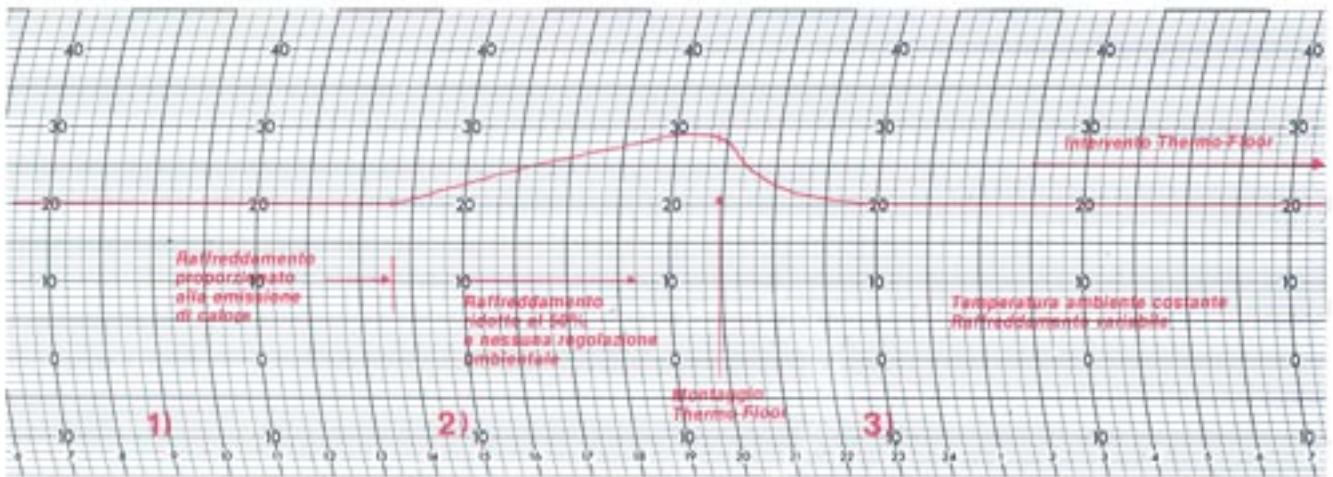
R504.



Thermo-floor

Thermo-floor.

2°



50%,
29° 2° / .
20° ,
± 0.2° . 20° ,
/ ,
20° ,
"Thermo-floor",
" "



GIACOMINI SPA
Via per Alzo,39
28017 San Maurizio d'Opaglio (NO) ITALY
tel. 0322 923111 - fax 0322 96256
e-mail: info@giacomini.com
internet: www.giacomini.com

1618

“ ”
“ ” 253
./ : 02 / 85 69 174
.: +359 878 20 55 33
sales@terratherm-bg.com
www.terratherm-bg.com