



PE-X / AL / PE-X

R999
R9991

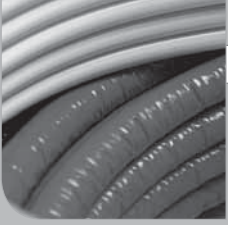
R999

- ▶ 1.
- ▶ 2.
- ▶ 2.
- ▶ 4.

R999I

- ▶ 4.
- ▶ 5.
- ▶ 5.

- ▶ 6.
- ▶ 7.
- ▶ 8.
- ▶ 9.
- ▶ 9.



R999-R999I

PE-X / AL / PE-X

► R999

PE-X / AL / PE-X GIACOMINI

:

-
-
-

GIACOKLIMA

100

),

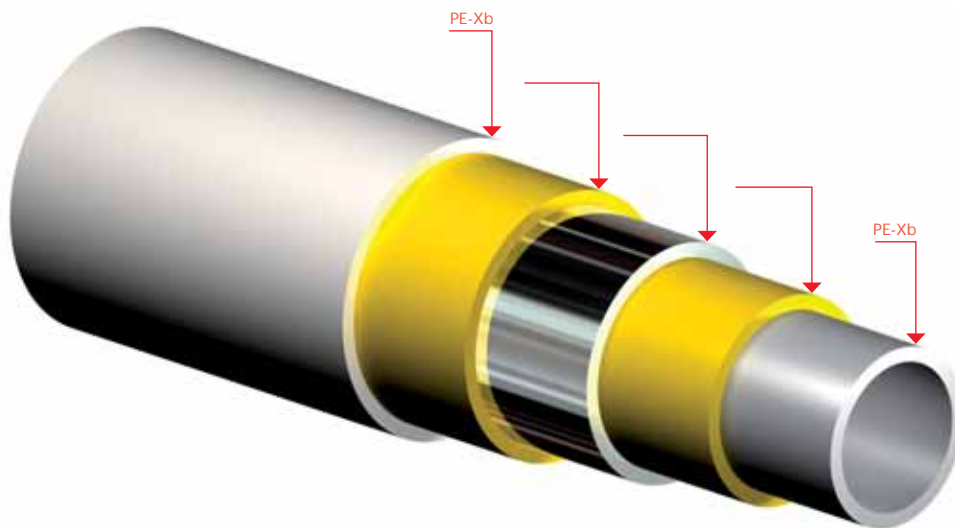
(700

PE-X / AL / PE-X GIACOMINI

▸ R999

PE-X / AL / PE-X GIACOMINI

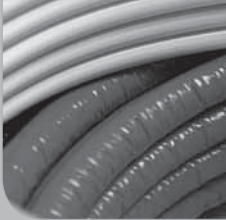
PE-Xb



▸ R999

50

	T_o (°C)	T_o ()	T_{max} (°C)	T_{max} ()	T_{mal} (°C)	T_m ()
60°C	60	49	80	1	95	100
70°C	70	49	80	1	95	100
	20	2,5				
	40	20	70	2,5	100	100
	60	25				
	20	14				
	60	25	90	1	100	100
	80	10				



ISO 9001



R999-R999I

PE-X / AL / PE-X

(T_o):

(T_{max}):

(T_{mal}):

50) (

100

6 bar.

20°C

10 bar.

50

(UNE 53961 EX)

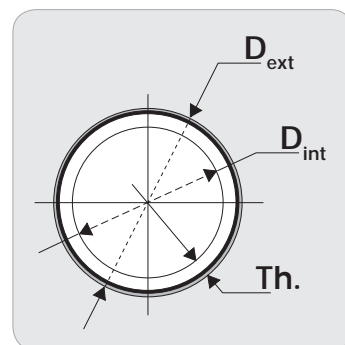
- o
- o
- o
- o

20°C: $2,4 \cdot 10^{-5} K^{-1}$

: 0.40 W/m.K

ϵ : $7,0 \cdot 10^{-6} m$

: $5 \times D_{ext}$



	D_{ext} (mm)	D_{int} (mm)	Th. (mm)	(g/m)	(l/m)	(mm)
R999 16x2	16,0	12,0	2,0	115	0,113	80
R999 18x2	18,0	14,0	2,0	132	0,154	90
R999 20x2	20,0	16,0	2,0	148	0,201	100
R999 26x3	26,0	20,0	3,0	260	0,314	130
R999 32x3	32,0	26,0	3,0	327	0,531	160

► R999

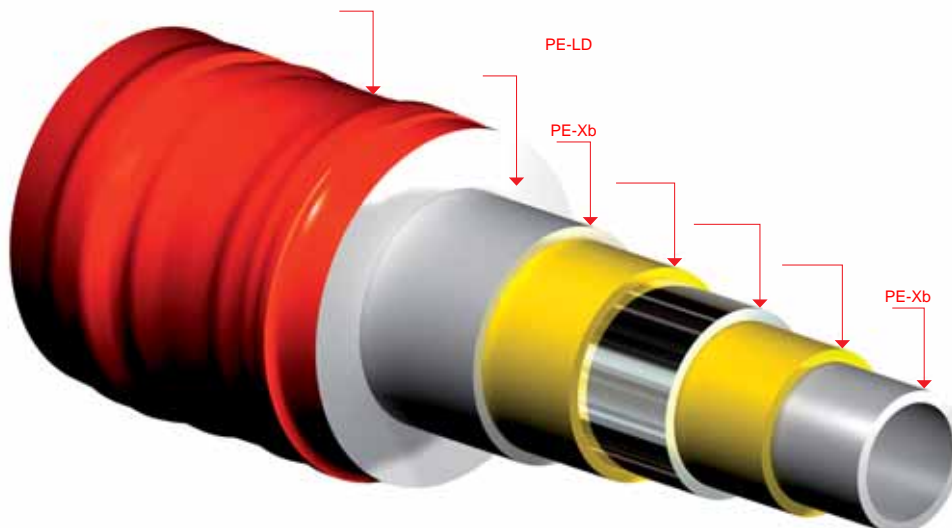
PE-X / AL PE-X GIACOMINI
 16 2 20 2, 50 4 100 200
 26 2 32 2.

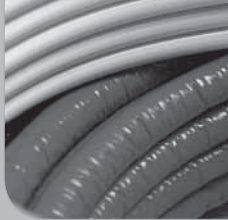
	CL		
R999Y122	9M	16x2	100
R999Y123	9M	16x2	200
R999Y124	9M	16x2	500
R999Y232	9M	18x2	100
R999Y233	9M	18x2	200
R999Y142	9M	20x2	100
R999Y143	9M	20x2	200
R999Y272	9M	26x3*	4
R999Y273	9M	26x3	50
R999Y282	9M	32x3*	4
R999Y283	9M	32x3	50

* 4

► R999I

PE-X / AL / PE-X GIACOMINI
 (CFC)





ISO 9001



R999-R999I

PE-X / AL / PE-X

▸ R999I

PE-LD

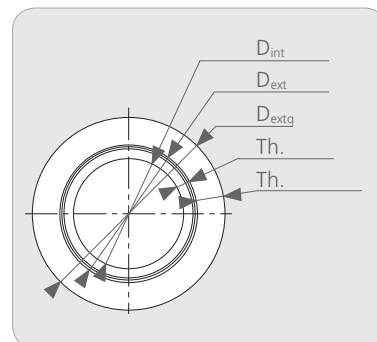
CFC HCFC

" 1",
" "

D.M. 26/06/84
EN 1350-1

0,040 W/m · K

$\mu > 5000$



	D _{ext} (mm)	D _{int} (mm)	Th. (mm)	D _{extq} (mm)		Sp. (mm)		R (m ² · K/W)	
R999I 14x2	14,0	10,0	2,0	26	-	6	-	0,150	-
R999I 16x2	16,0	12,0	2,0	28	34	6	9	0,150	0,225
R999I 18x2	18,0	14,0	2,0	30	36	6	9	0,150	0,225
R999I 20x2	20,0	16,0	2,0	38	46	9	13	0,225	0,325
R999I 26x3	26,0	20,0	3,0	44	52	9	13	0,225	0,325
R999I 32x3	32,0	26,0	3,0	50	-	9	-	0,225	-

▸ R999I

PE-X / AL / PE-X GIACOMINI

50

16 2 20 2

25

26 3 32 3.

PART NUMBER	CL	SIZE	LENGHT
R999IY210	9M	14x2	50
R999IY220	9M	16x2	50
R999IY230	9M	18x2	50
R999IY240	9M	20x2	50
R999IY270	9M	26x3	25
R999IY272	9M	26x3	50
R999IY280	9M	32x3	25
R999IY120	9M	16x2	50
R999IY130	9M	18x2	50
R999IY140	9M	20x2	50
R999IY170	9M	26x3	25

PE-X / AL / PE-X GIACOMINI

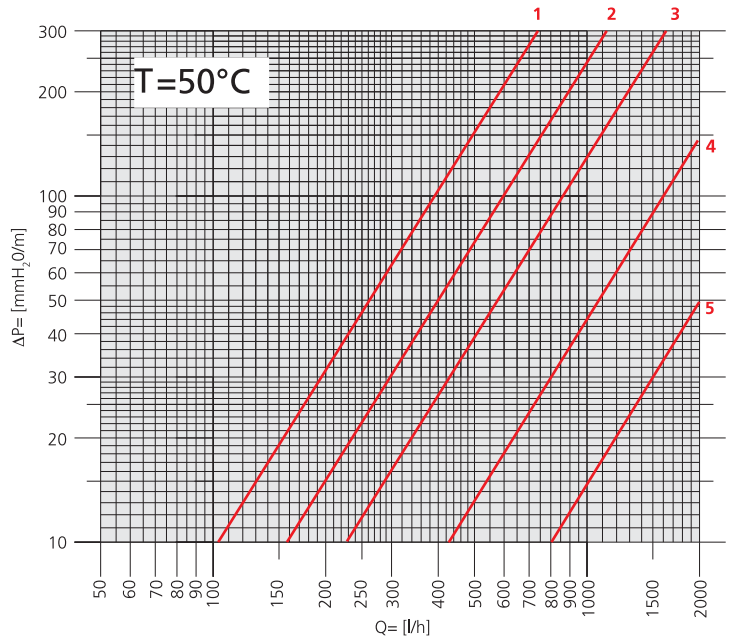
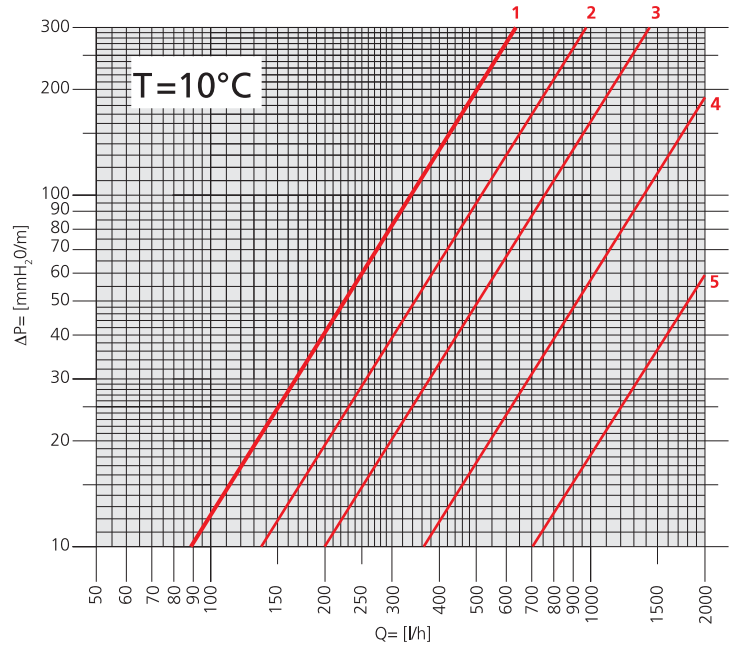
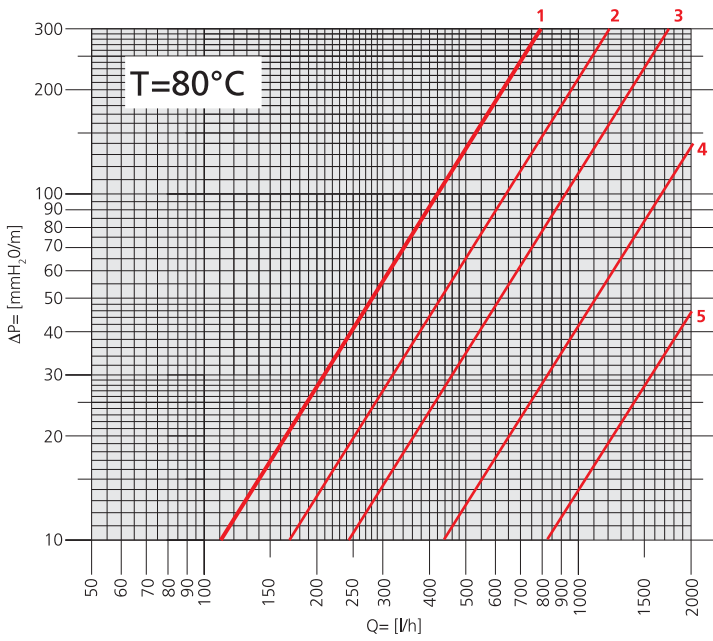


R999-R999I M

PE-X / AL / PE-X

PE-X / AL / PE-X GIACOMINI

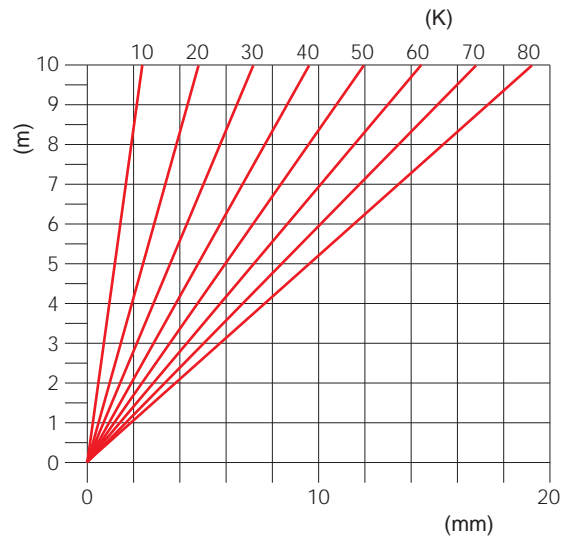
- 1 = pipe 16x2
- 2 = pipe 18x2
- 3 = pipe 20x2
- 4 = pipe 26x3
- 5 = pipe 32x3



PE-X / AL / PE-X GIACOMINI

$$\Delta l = \alpha \cdot L \cdot \Delta t$$

$\Delta l =$ mm
 $\alpha =$ 0,024 mm/m K
 $L =$ m
 $\Delta t =$ (K) (°C)



[m]	(K)							
	10	20	30	40	50	60	70	80
0,5	0,12	0,24	0,36	0,48	0,60	0,72	0,84	0,96
1,0	0,24	0,48	0,72	0,96	1,20	1,44	1,68	1,92
1,5	0,36	0,72	1,08	1,44	1,80	2,16	2,52	2,88
2,0	0,48	0,96	1,44	1,92	2,40	2,88	3,36	3,84
2,5	0,60	1,20	1,80	2,40	3,00	3,60	4,20	4,80
3,0	0,72	1,44	2,16	2,88	3,60	4,32	5,04	5,76
3,5	0,84	1,68	2,52	3,36	4,20	5,04	5,88	6,72
4,0	0,96	1,92	2,88	3,84	4,80	5,76	6,72	7,68
4,5	1,08	2,16	3,24	4,32	5,40	6,48	7,56	8,64
5	1,20	2,40	3,60	4,80	6,00	7,20	8,40	9,60
5,5	1,32	2,64	3,96	5,28	6,60	7,92	9,24	10,56
6,0	1,44	2,88	4,32	5,76	7,20	8,64	10,08	11,52
6,5	1,56	3,12	4,68	6,24	7,80	9,36	10,92	12,48
7,0	1,68	3,36	5,04	6,72	8,40	10,08	11,76	13,44
7,5	1,80	3,60	5,40	7,20	9,00	10,80	12,60	14,40
8,0	1,92	3,84	5,76	7,68	9,60	11,52	13,44	15,36
8,5	2,04	4,08	6,12	8,16	10,20	12,24	14,28	16,32
9,0	2,16	4,32	6,48	8,64	10,80	12,96	15,12	17,28
9,5	2,28	4,56	6,84	9,12	11,40	13,68	15,96	18,24



ISO 9001



R999-R999I

PE-X / AL / PE-X

PE-X / AL / PE-X GIACOMINI,

1.

2.

3.

4.

5.

6.

7.

-30°C

1.5

GIACOMINI S.p.a.

(1944/44/CE

, 2001/95/CE

85/374).

1.

2.

3.

4.

5.

GIACOMINI



GIACOMINI SPA
Via per Alzo,39
28017 San Maurizio d'Opaglio (NO) ITALY
tel. 0322 923111 - fax 0322 96256
e-mail: info@giacomini.com
internet: www.giacomini.com

1618

“ ”
“ ” 253
/ : 02 / 85 69 174
.: +359 878 20 55 33
sales@terratherm-bg.com
www.terratherm-bg.com