



R557

▶ 1.

▶ 1.

▶ 2.

▶ 3.

▶ 4.

▶ 6.

▶ 6.

▶ 7.

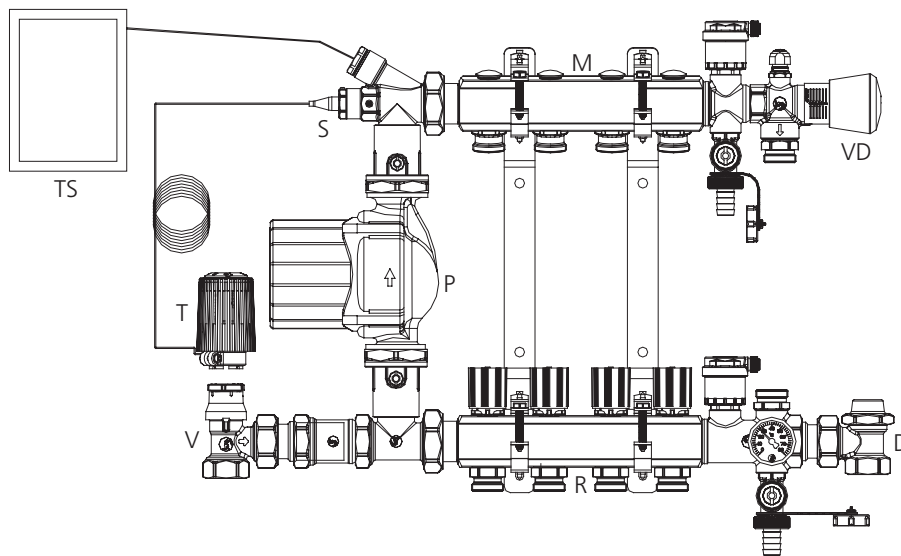
▶ 8.

▶ 8.

▶ 9.



() R557



(V) (D) R557 (D) R462L
 70 - 80 °C,
 (V) () (V) 20 70 °C,
 (R), (D), a (M)
 (P) (T)

373,

(R)

- R553S
- R553V
- R588L
- R557B
- R557D
- R252
- R462L
- R554D
- R554A
- R557P

20 - 70 °

- R401TG/R402TG R411TG/R412TG
- R14TG/R15TG R29TG/R31TG
- R593
- K373
- R179 PE-X Pb , R179AM
- R473/R478 R463
- 130 / 180 mm
- R500

R227

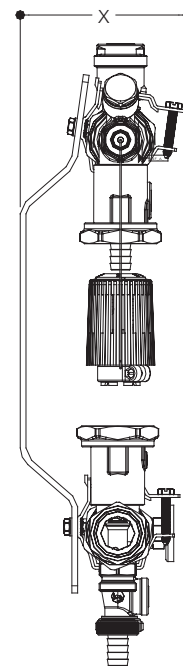
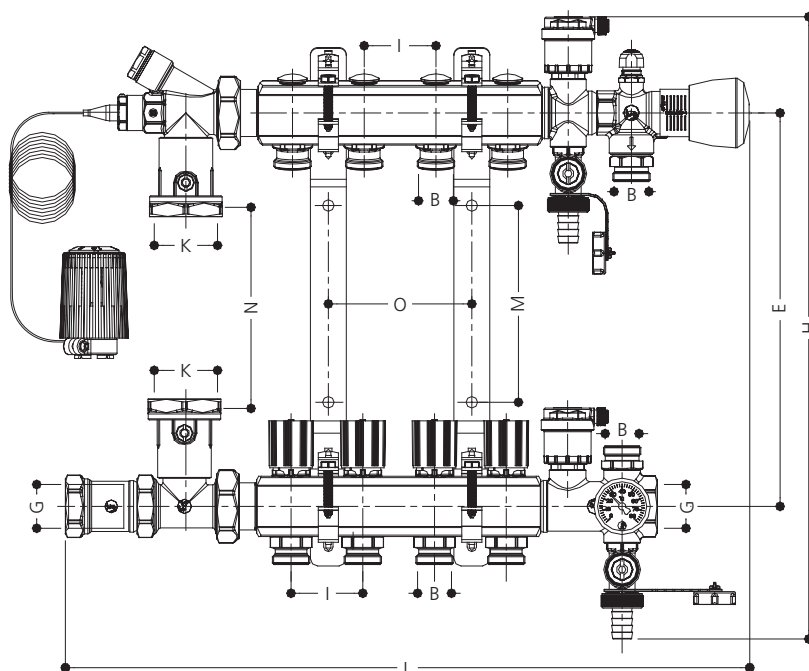
, R178



R557

130 mm

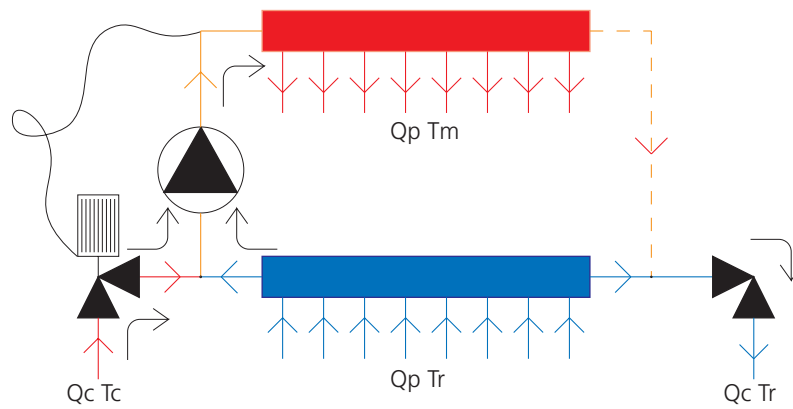
R500.



	G	B		I	K	H	E	M	N	O	L	X
R557Y002	1"	18	2	50	1" 1/2	433-473	274-314	137	130-180	/	377	116,6
R557Y003	1"	18	3	50	1" 1/2	433-473	274-314	137	130-180	/	427	116,6
R557Y004	1"	18	4	50	1" 1/2	433-473	274-314	137	130-180	100	477	116,6
R557Y005	1"	18	5	50	1" 1/2	433-473	274-314	137	130-180	150	527	116,6
R557Y006	1"	18	6	50	1" 1/2	433-473	274-314	137	130-180	200	577	116,6
R557Y007	1"	18	7	50	1" 1/2	433-473	274-314	137	130-180	250	627	116,6
R557Y008	1"	18	8	50	1" 1/2	433-473	274-314	137	130-180	300	677	116,6
R557Y009	1"	18	9	50	1" 1/2	433-473	274-314	137	130-180	350	727	116,6
R557Y010	1"	18	10	50	1" 1/2	433-473	274-314	137	130-180	400	777	116,6
R557Y011	1"	18	11	50	1" 1/2	433-473	274-314	137	130-180	450	827	116,6
R557Y012	1"	18	12	50	1" 1/2	433-473	274-314	137	130-180	500	877	116,6

R557

R557



Qp	(l/h)
Qc	/ (l/h)
Tc	(°)
Tm	(°)
Tr	(°)



R557

$$Q_p \times (T_m - T_r) = Q_c \times (T_c - T_r)$$

Qc,

$$Q_c = Q_p \times \frac{(T_m - T_r)}{(T_c - T_r)}$$

1000 l/h
R557

(T =80 °) Tm=40 °C, Tr=35° (5 °)

$$Q_c = 1000 \times \frac{(40 - 35)}{(80 - 35)} = 111 \text{ l/h}$$

3/8" - 400mm
1/2" - 290mm

=55°

$$Q_c = 1000 \times \frac{(40 - 35)}{(55 - 35)} = 250 \text{ l/h}$$

1/2" - 1700mm
1" - 370mm



R462L,

	*	1	2	3	4	5	6
T[°C]	20	23	34	45	56	67	70



R558,

" "



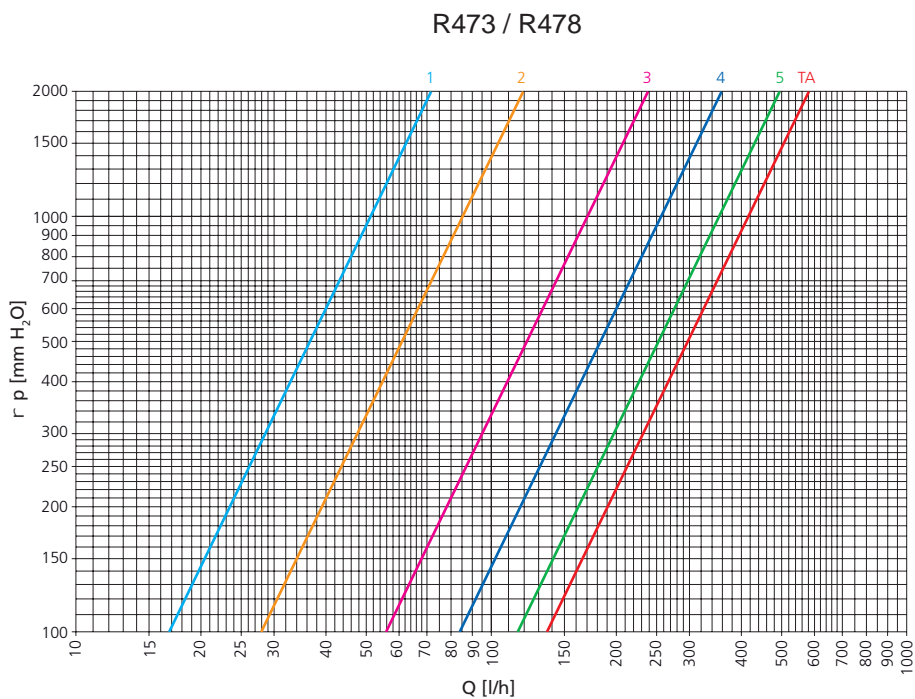
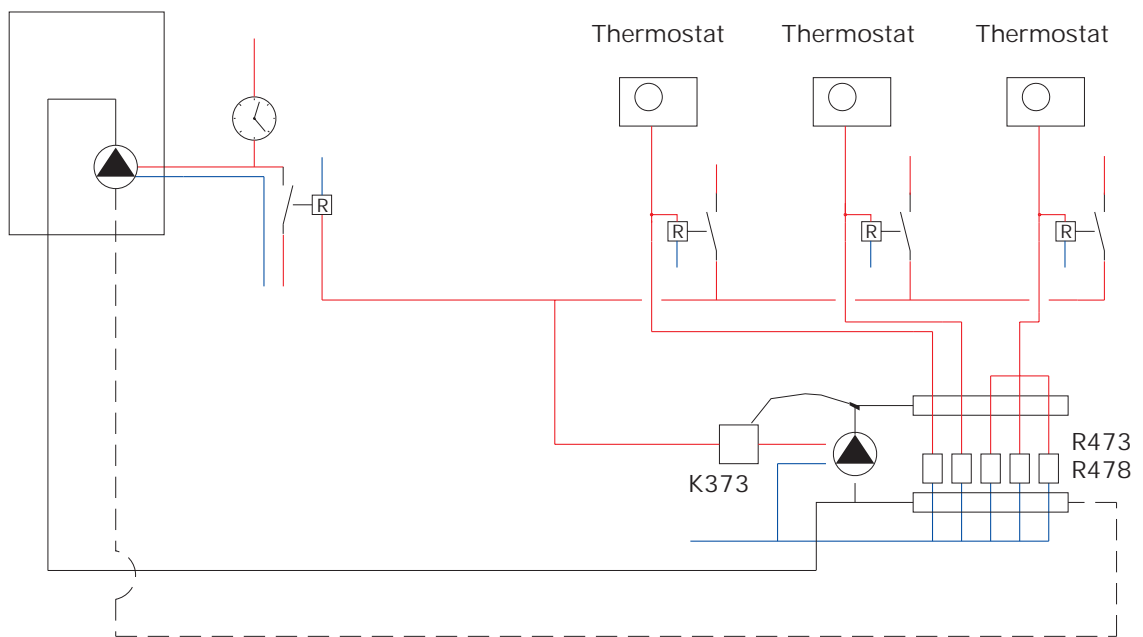
R473



R478

R557

R473 R478,
480,
R463.

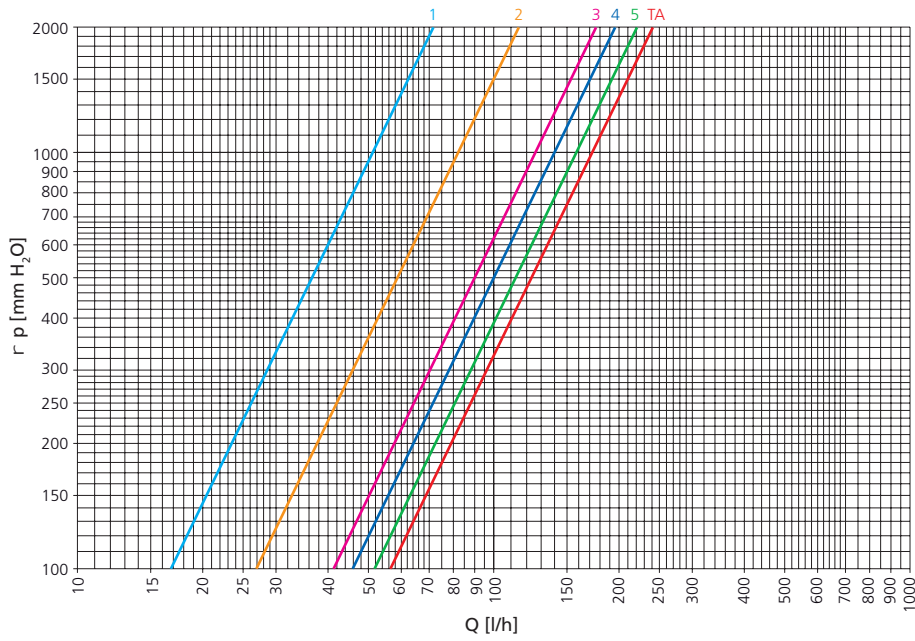


	Kv
1	0,17
2	0,27
3	0,54
4	0,83
5	1,15
TA	1,35



R463

2°C



	Kv
1	0,17
2	0,26
3	0,40
4	0,45
5	0,51
TA	0,55

10 bar. 110 °



GIACOMINI SPA
Via per Alzo,39
28017 San Maurizio d'Opaglio (NO) ITALY
tel. 0322 923111 - fax 0322 96256
e-mail: info@giacomini.com
internet: www.giacomini.com

1618
" " 253
/ : 02 / 85 69 174
.: +359 878 20 55 33
sales@terratherm-bg.com
www.terratherm-bg.com