

| | |
|-------------------|-----|
| ▶ 1. | |
| ▶ 7. | - |
| ▶ 8. | - |
| ▶ 23. R304T | - - |
| ▶ 28. R304N/R324N | - |
| ▶ 31. | |
| ▶ 34. | |
| ▶ 34. | |
| ▶ 37. | |



ISO 9001: 2000



R304T
R304N/R324N

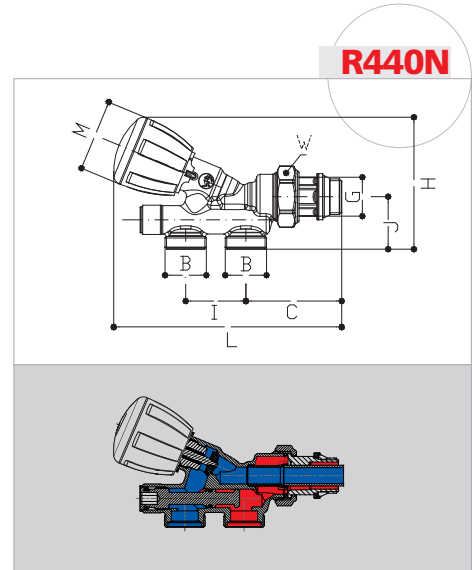
MCE2008



“ ”
- .
R178, R178C, R179 R179AM

| | GxB | I | H | J | L | C | M | W |
|-----------|---------|----|----|----|-----|----|----|----|
| R440NX032 | 1/2"x16 | 35 | 47 | 30 | 133 | 56 | 42 | 30 |

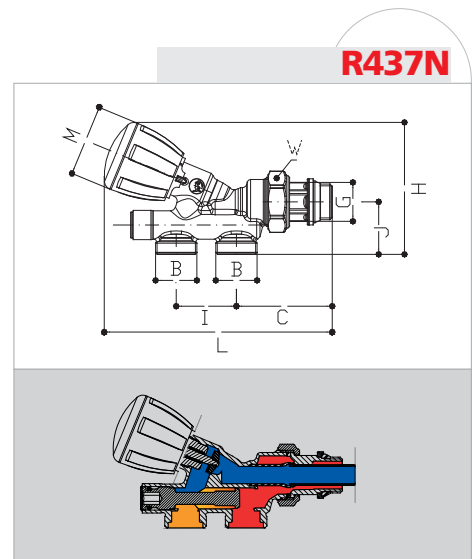
12mm, 450 mm



“ ”
- .
R178, R178C, R179 R179AM

| | GxB | I | H | J | L | C | M | W |
|-----------|---------|----|----|----|-----|----|----|----|
| R437NX031 | 1/2"x16 | 35 | 77 | 30 | 133 | 56 | 42 | 30 |

12mm, 450 mm





R178, R178C, R179 R179AM

| | GxB | I | H | J | L | C | M | W |
|-----------|---------|----|----|----|-----|----|----|----|
| R314NX002 | 1/2"x16 | 35 | 83 | 28 | 110 | 54 | 42 | 38 |

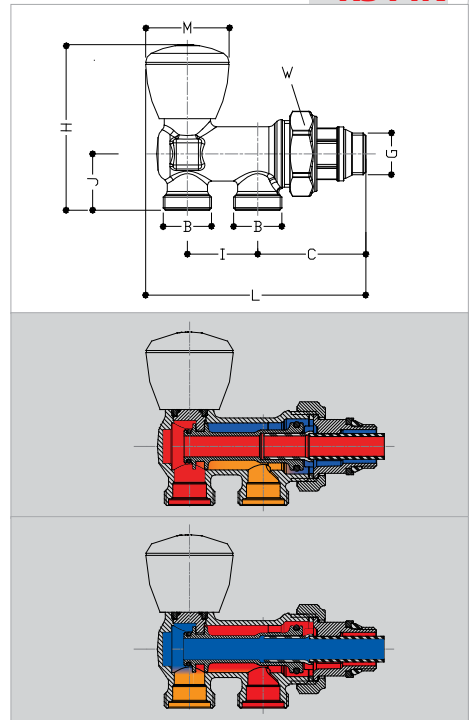
R171C R171P 12



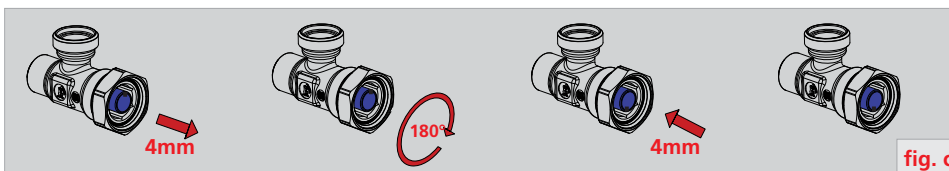
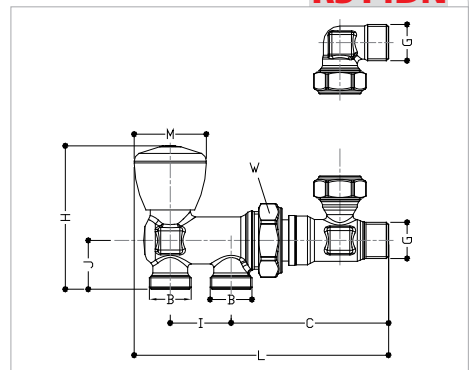
R178, R178C, R179 R179AM

| | GxB | I | H | J | L | C | M | W |
|-----------|---------|----|----|----|-----|----|----|----|
| R314DX032 | 1/2"x16 | 35 | 83 | 28 | 147 | 91 | 42 | 38 |

R314N

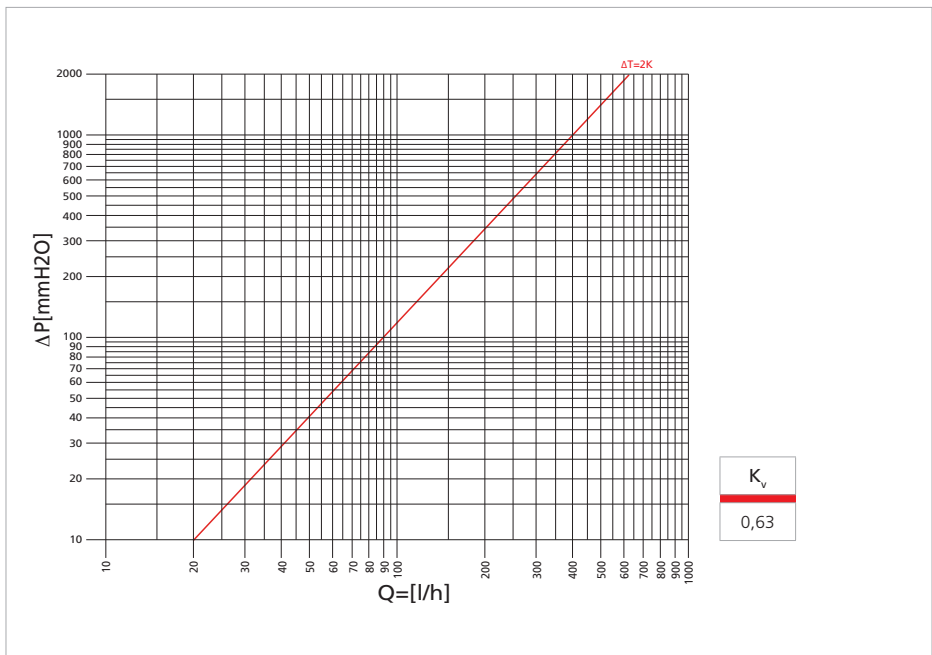
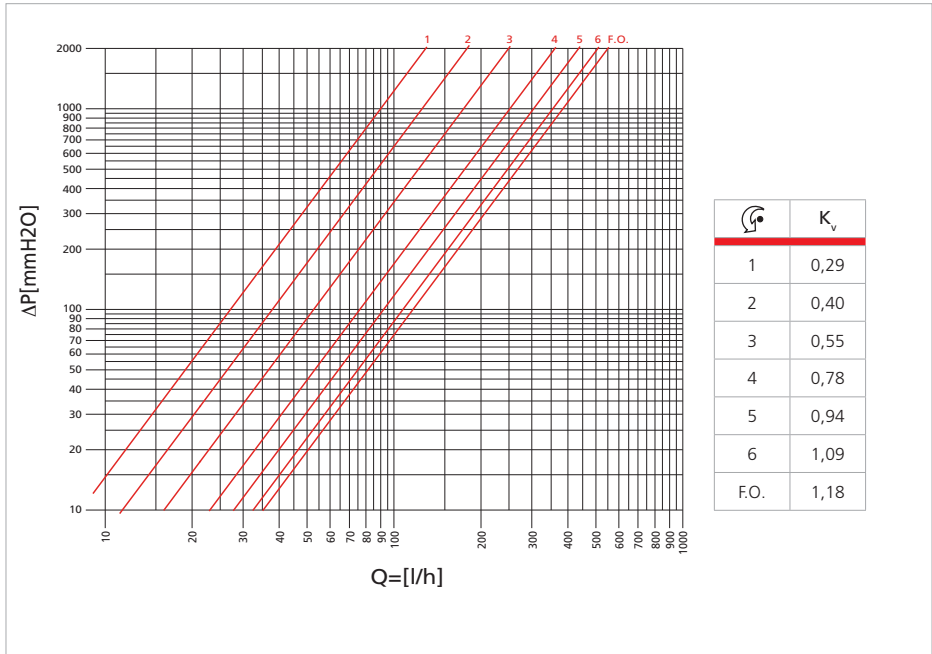


R314DN



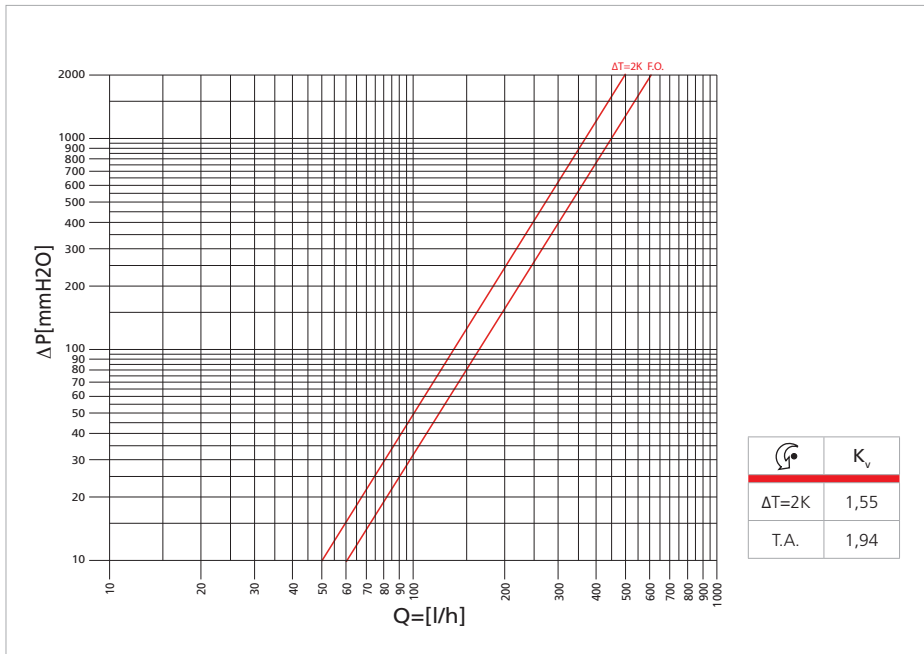


R440N



▶ $\Delta T=2K$

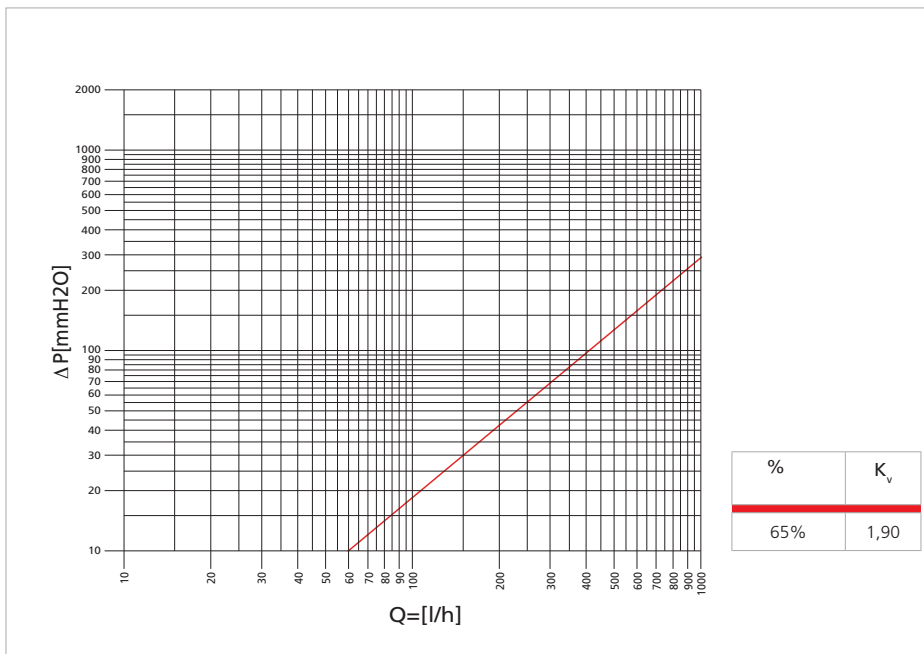
R437N



► F.O.

► $\Delta T=2K$

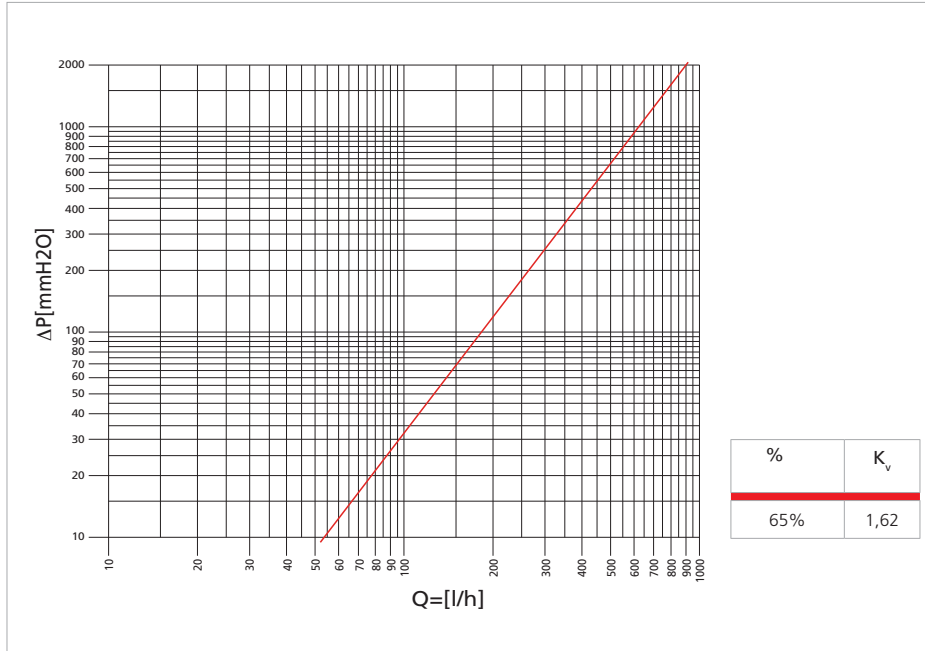
R314N



65%



R314DN



65%

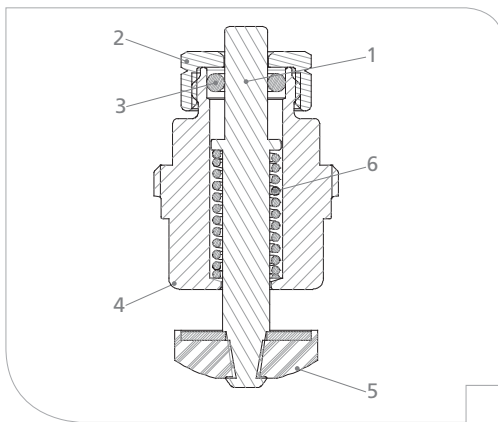




" - " GIACOMINI

" - " GIACOMINI

GIACOMINI.



- 1.
- 2.
- 3. O-
- 4.
- 5.
- 6.

- ▶
-
-
-

:110°C
 :1 MPa (10 bar)
 : 0,14 MPa (1,4 bar)



25 Nm,



| R171P | R171C |
|--------|-------|
| 2-3 mm | |
| 2/3 | |

▶
(/),



R304T
R304N/R324N



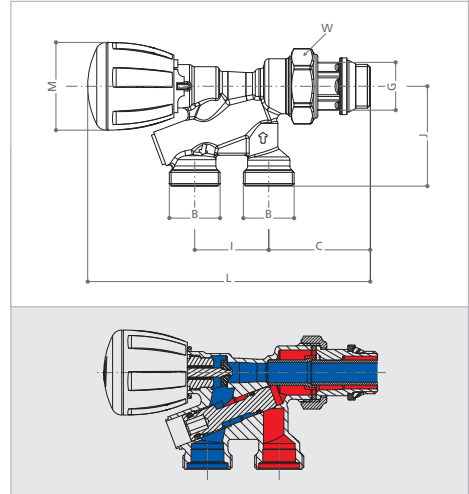
100%

R178, R178C, R179 R179AM

| | GxB | I | J | L | C | M | W |
|----------|---------|----|----|-----|----|----|----|
| R440X032 | 1/2"x16 | 35 | 47 | 137 | 48 | 42 | 30 |
| R440X042 | | | | | | | |

R440X032: R171P 12

R440



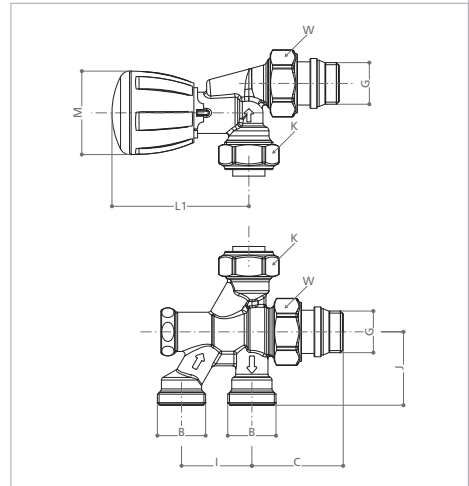
, 100%

R194 16 mm

R178, R178C, R179 R179AM

| | GxB | I | J | L1 | C | M | K | W |
|----------|---------|----|----|----|----|----|----|----|
| R438X052 | 1/2"x16 | 35 | 37 | 68 | 46 | 42 | 27 | 30 |
| R438X053 | 1/2"x18 | 50 | 42 | 68 | 38 | 42 | 27 | 30 |

R438





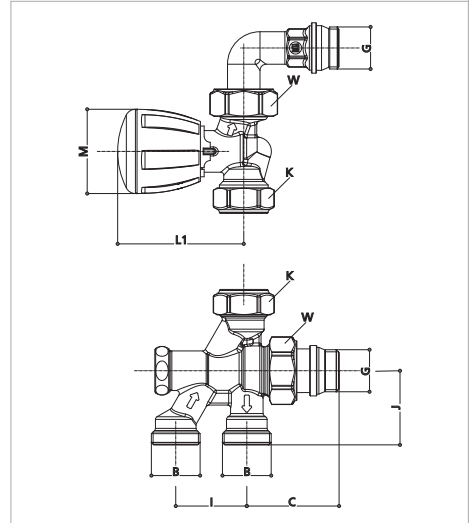
, 100%

R194 16 mm

R178, R178C, R179 R179AM

| | GxB | I | J | L1 | C | M | K | W |
|-----------|---------|----|----|----|----|----|----|----|
| R438IX043 | 1/2"x16 | 35 | 37 | 62 | 46 | 42 | 27 | 30 |
| R438IX044 | 1/2"x18 | 50 | 42 | 62 | 38 | 42 | 27 | 30 |

R438-1



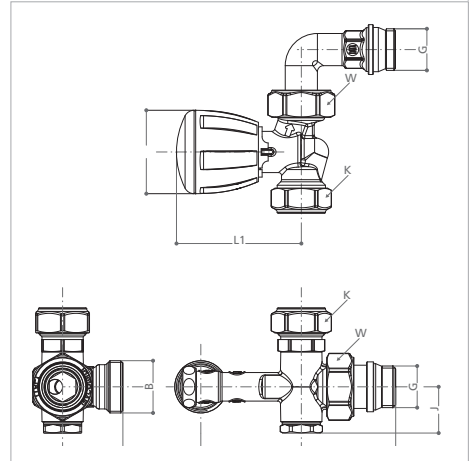
, 100%

R194 16 mm

R178, R178C, R179 R179AM

| | GxB | I | J | L1 | C | S | M | K | W |
|-----------|---------|----|----|----|----|----|----|----|----|
| R438MX033 | 1/2"x18 | 50 | 23 | 62 | 47 | 30 | 42 | 27 | 30 |

R438M-1





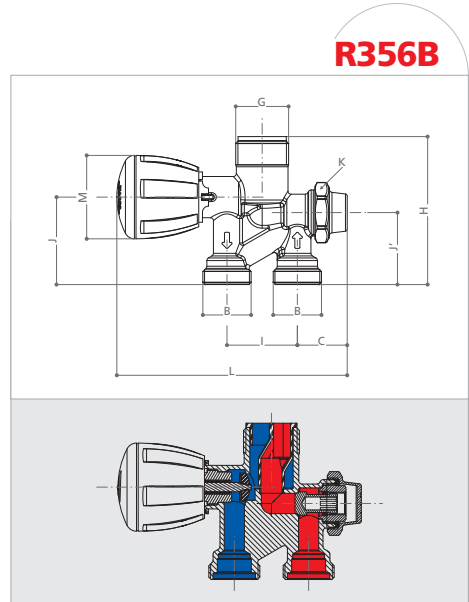
R304T
R304N/R324N



R178, R178C, R179 R179AM

| | GxB | I | J | J' | L | C | H | M | K* |
|-----------|---------|----|----|----|-----|----|----|----|----|
| R356BX031 | 3/4"x16 | 35 | 44 | 36 | 115 | 25 | 74 | 42 | 27 |
| R356BX032 | 3/4"x18 | 50 | 43 | 35 | 117 | 22 | 73 | 42 | 30 |

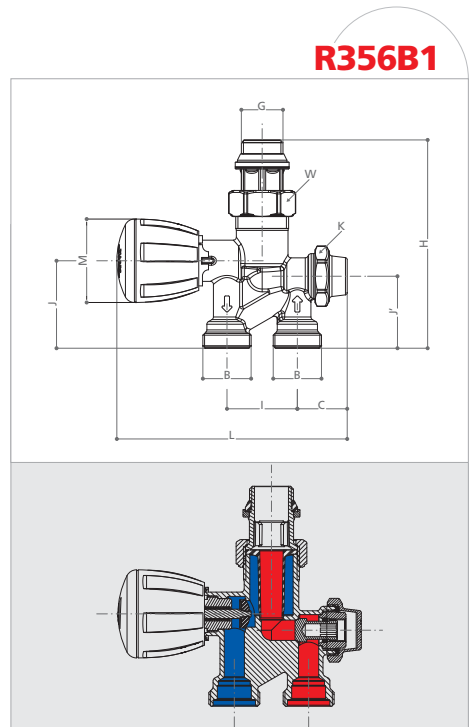
* P26A ()



R178, R178C, R179 R179AM

| | GxB | I | J | J' | L | C | H | M | K* | W |
|-----------|---------|----|----|----|-----|----|-----|----|----|----|
| R356BX041 | 1/2"x16 | 35 | 44 | 36 | 115 | 25 | 104 | 42 | 27 | 30 |
| R356BX042 | 1/2"x18 | 50 | 43 | 35 | 117 | 22 | 103 | 42 | 30 | 30 |

* R171C R171P 12 P26A ()



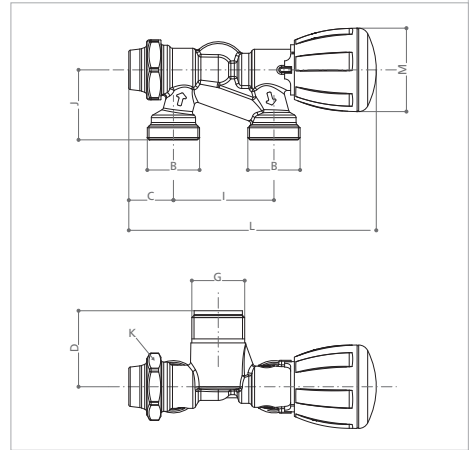


R178, R178C, R179 R179AM

| | GxB | I | J | L | C | D | M | K* |
|-----------|---------|----|----|-----|----|----|----|----|
| R357BX032 | 3/4"x18 | 50 | 35 | 123 | 22 | 38 | 42 | 30 |

* P26A ().

R357B

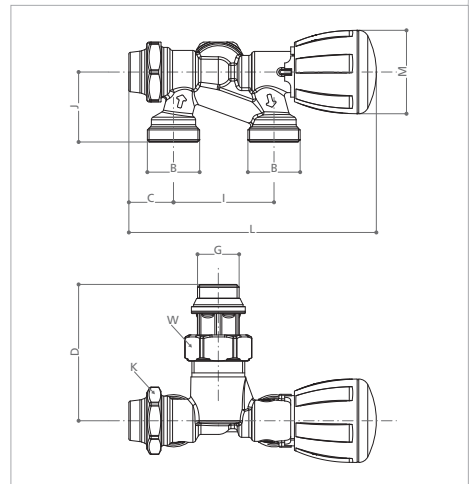


R178, R178C, R179 R179AM

| | GxB | I | J | L | C | D | M | K* | W |
|-----------|---------|----|----|-----|----|----|----|----|----|
| R357BX042 | 1/2"x18 | 50 | 35 | 123 | 22 | 68 | 42 | 30 | 30 |

* R171C R171P 12 P26A ().

R357B1



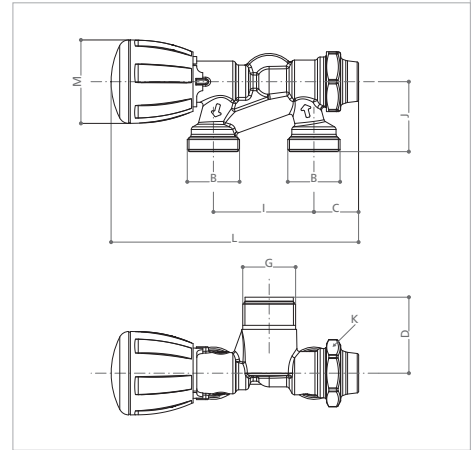


R178, R178C, R179 R179AM

| | GxB | I | J | L | C | D | M | K* |
|-----------|---------|----|----|-----|----|----|----|----|
| R358BX032 | 3/4"x18 | 50 | 35 | 123 | 22 | 38 | 42 | 30 |

* P26A ()

R358B

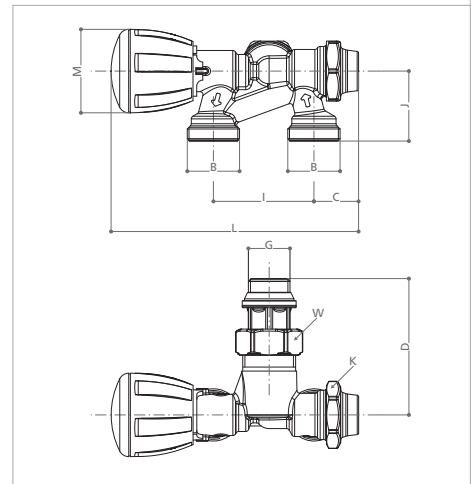


R178, R178C, R179 R179AM

| | GxB | I | J | L | C | D | M | K* | W |
|-----------|---------|----|----|-----|----|----|----|----|----|
| R358BX042 | 1/2"x18 | 50 | 35 | 123 | 22 | 68 | 42 | 30 | 30 |

* R171C R171P 12 P26A ().

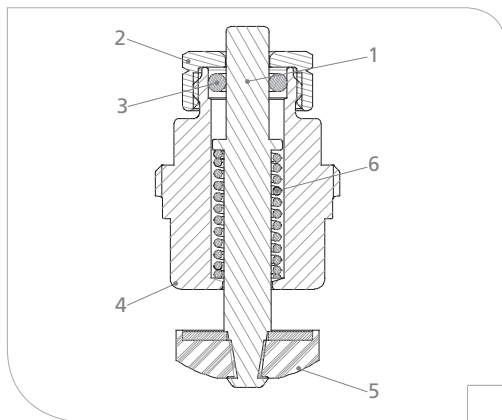
R358B1



GIACOMINI,

GIACOMINI.

GIACOMINI,



- 1.
- 2.
3. O-
- 4.
- 5.
- 6.

- :110°C
- : 1 MPa (10 bar)
- :
- 50%,
- 35%, $\Delta T = 2K$



ISO 9001: 2000



R304T
R304N/R324N

- 25 Nm,

| R171C | R171P |
|-------|--------|
| | 2-3 mm |
| 2/3 | |



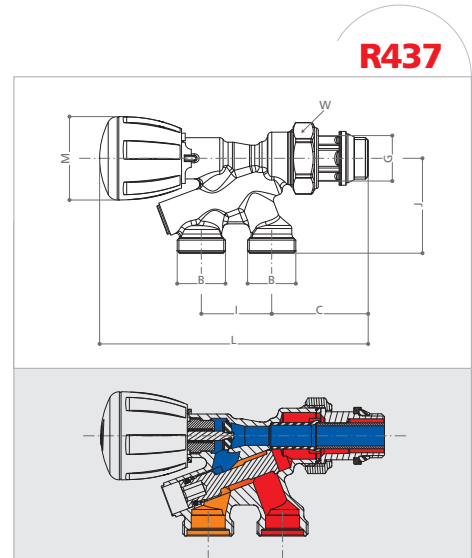
(/),
0 50 %



R178, R178C, R179 R179AM

| | GxB | I | J | L | C | M | W |
|----------------------|---------|----|----|-----|----|----|----|
| R437X031 R437X041 | 1/2"x16 | 35 | 47 | 137 | 48 | 42 | 30 |
| R437X032 R437X042 | 1/2"x18 | 50 | 59 | 137 | 37 | 42 | 30 |

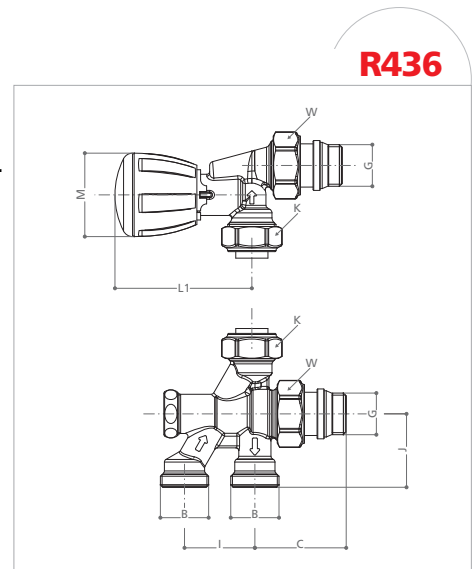
R437X031, R437X032: R171P 12



R194 16 mm

R178, R178C, R179 R179AM

| | GxB | I | J | L1 | C | M | K | W |
|----------|---------|----|----|----|----|----|----|----|
| R436X052 | 1/2"x16 | 35 | 37 | 68 | 46 | 42 | 27 | 30 |
| R436X053 | 1/2"x18 | 50 | 42 | 68 | 38 | 42 | 27 | 30 |



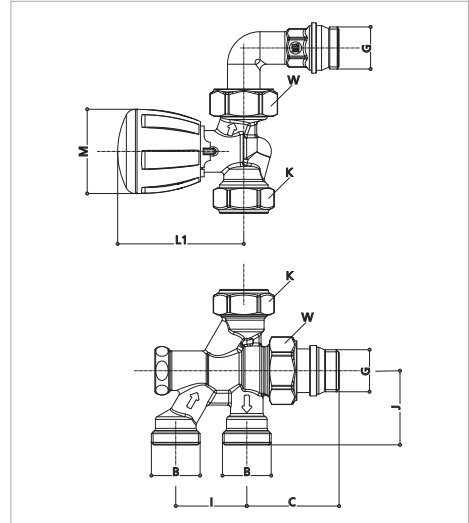


R194 16 mm

R178, R178C, R179 R179AM

| | GxB | I | J | L1 | C | M | K | W |
|-----------|---------|----|----|----|----|----|----|----|
| R436IX043 | 1/2"x16 | 35 | 37 | 62 | 46 | 42 | 27 | 30 |
| R436IX044 | 1/2"x18 | 50 | 42 | 62 | 38 | 42 | 27 | 30 |

R436-1

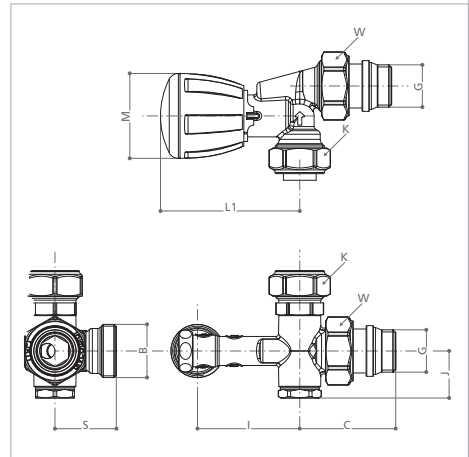


R194 16 mm

R178, R178C, R179 R179AM

| | GxB | I | J | L1 | C | S | M | K | W |
|-----------|---------|----|----|----|----|----|----|----|----|
| R436MX037 | 1/2"x18 | 50 | 23 | 62 | 47 | 30 | 42 | 27 | 30 |

R436M

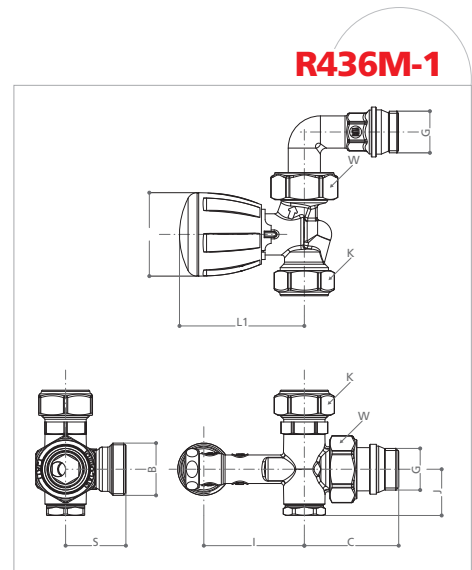




R194 16 mm

R178, R178C, R179 R179AM

| | GxB | I | J | L1 | C | S | M | K | W |
|-----------|---------|----|----|----|----|----|----|----|----|
| R436MX033 | 1/2"x18 | 50 | 23 | 62 | 47 | 30 | 42 | 27 | 30 |



R436M-1



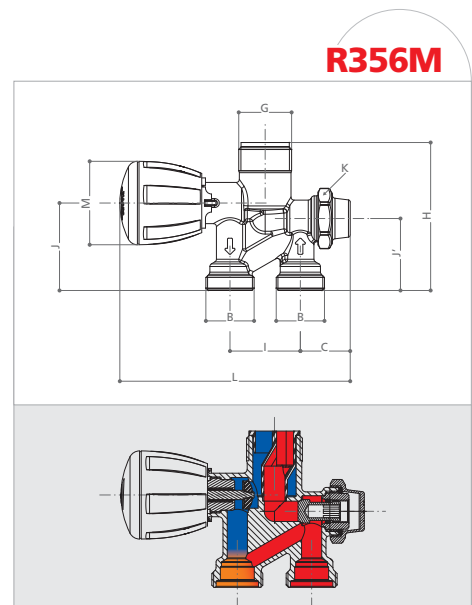
R178, R178C, R179 R179AM

| | GxB | I | J | J' | L | C | H | M | K* |
|-----------|---------|----|----|----|-----|----|----|----|----|
| R356MX031 | 3/4"x16 | 35 | 44 | 36 | 115 | 25 | 74 | 42 | 27 |
| R356MX032 | 3/4"x18 | 50 | 43 | 35 | 117 | 22 | 73 | 42 | 30 |

*

P26A

()



R356M



R178, R178C, R179 R179AM

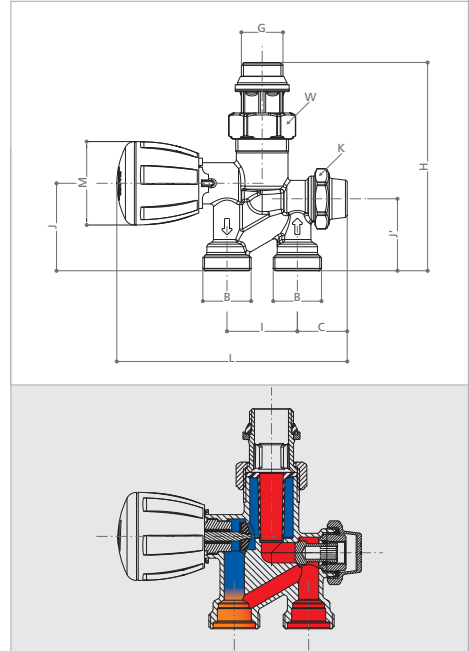
| | GxB | I | J | J' | L | C | H | M | K* |
|-----------|---------|----|----|----|-----|----|-----|----|----|
| R356MX041 | 1/2"x16 | 35 | 44 | 36 | 115 | 25 | 104 | 42 | 27 |
| R356MX042 | 1/2"x18 | 50 | 43 | 35 | 117 | 22 | 103 | 42 | 30 |

R171C R171P 12

P26A

()

R356M1



R178, R178C, R179 R179AM

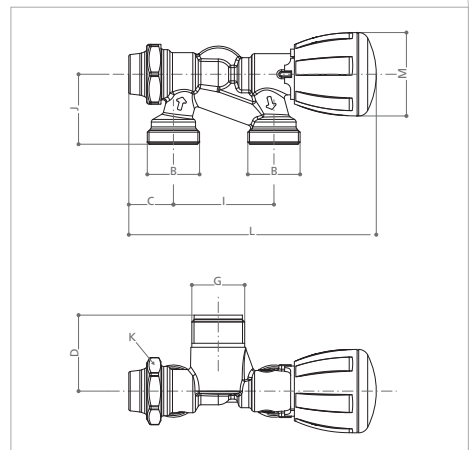
| | GxB | I | J | L | C | D | M | K* |
|-----------|---------|----|----|-----|----|----|----|----|
| R357MX032 | 3/4"x18 | 50 | 35 | 123 | 22 | 38 | 42 | 30 |

*

P26A

()

R357M





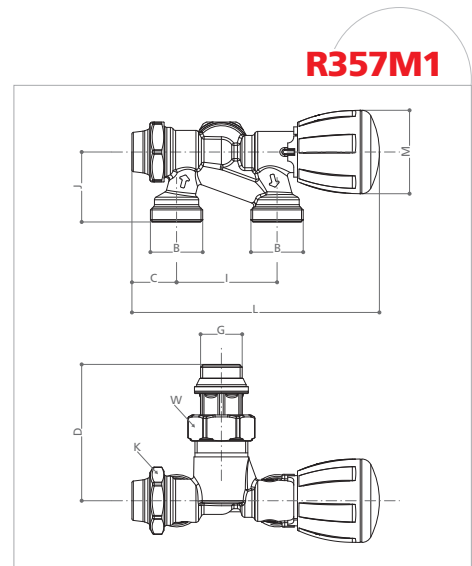
R178, R178C, R179 R179AM

T357MX011 :

| | GxB | I | J | L | C | D | M | K* | W |
|-----------|---------|----|----|-----|----|----|----|----|----|
| R357MX041 | 1/2"x16 | 35 | 33 | 126 | 30 | 68 | 42 | 30 | 30 |
| T357MX011 | | | | | | | | | |
| R357MX042 | 1/2"x18 | 50 | 35 | 123 | 22 | 68 | 42 | 30 | 30 |

R171C R171P 12

* P26A ()



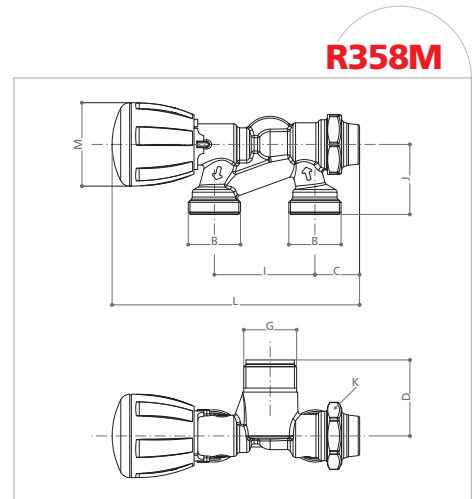
R357M1



R178, R178C, R179 R179AM

| | GxB | I | J | L | C | D | M | K* |
|-----------|---------|----|----|-----|----|----|----|----|
| R358MX032 | 3/4"x18 | 50 | 35 | 123 | 22 | 38 | 42 | 30 |

* P26A ()



R358M



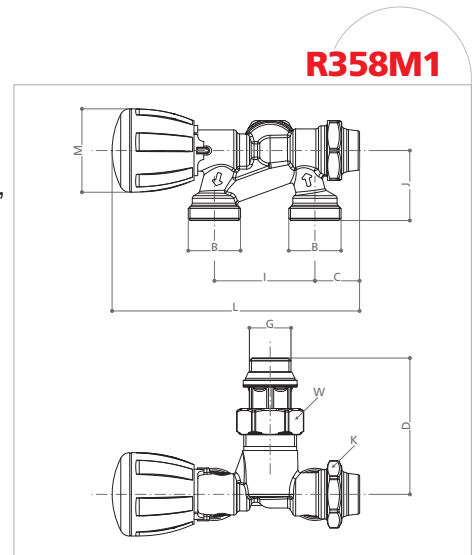
R178, R178C, R179 R179AM

T358MX011 :

| | GxB | I | J | L | C | D | M | K* | W |
|-----------|---------|----|----|-----|----|----|----|----|----|
| R358MX041 | 1/2"x16 | 35 | 33 | 126 | 30 | 68 | 42 | 30 | 30 |
| T358MX011 | | | | | | | | | |
| R358MX042 | 1/2"x18 | 50 | 35 | 123 | 22 | 68 | 42 | 30 | 30 |

R171C R171P 12

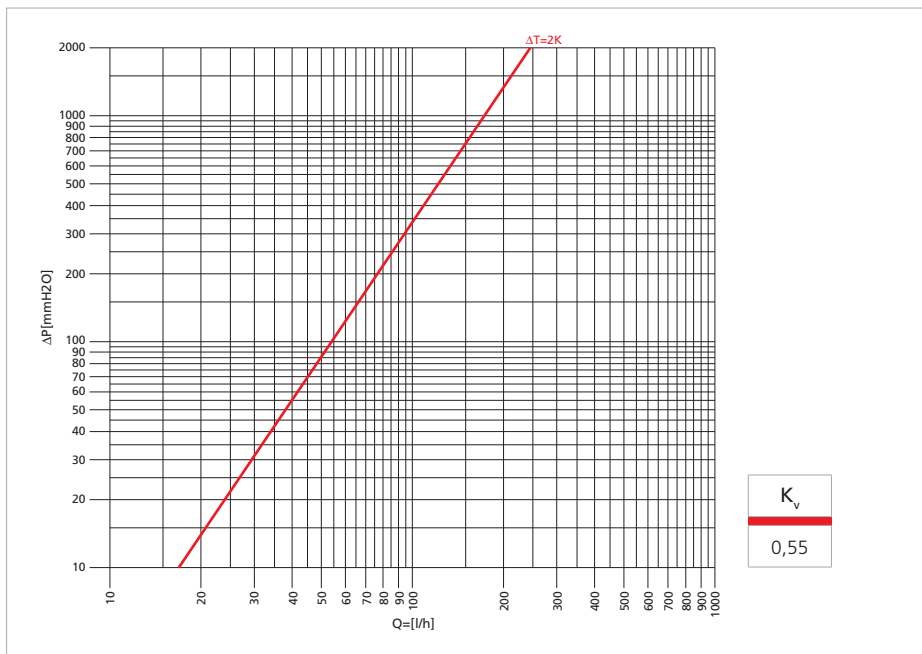
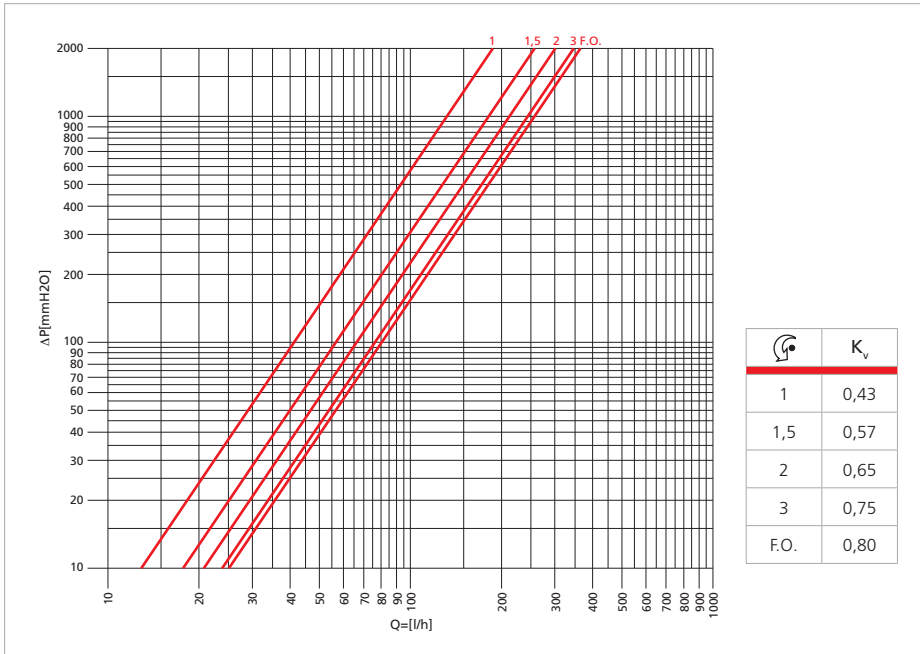
* P26A ()



R358M1

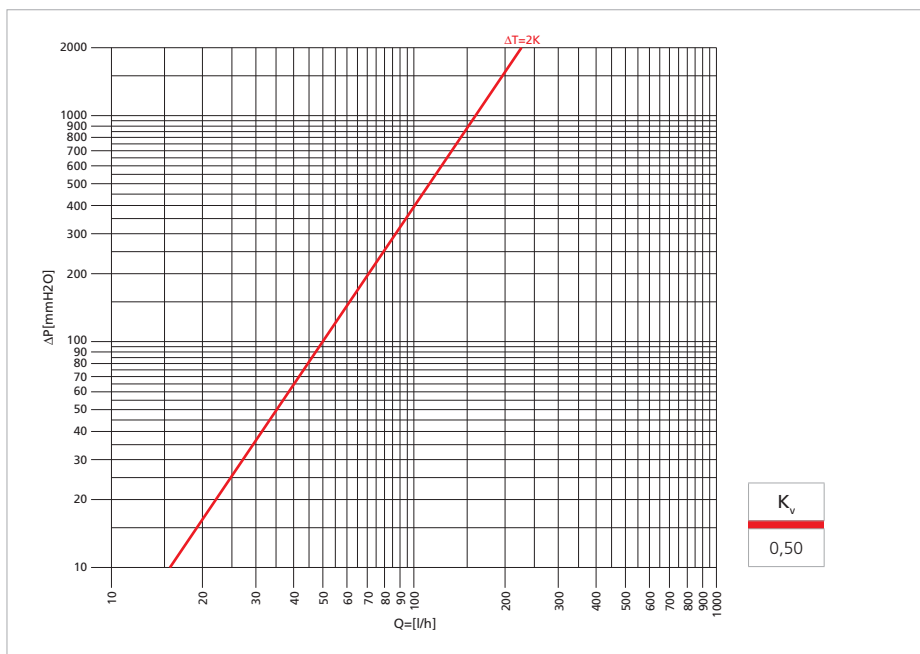
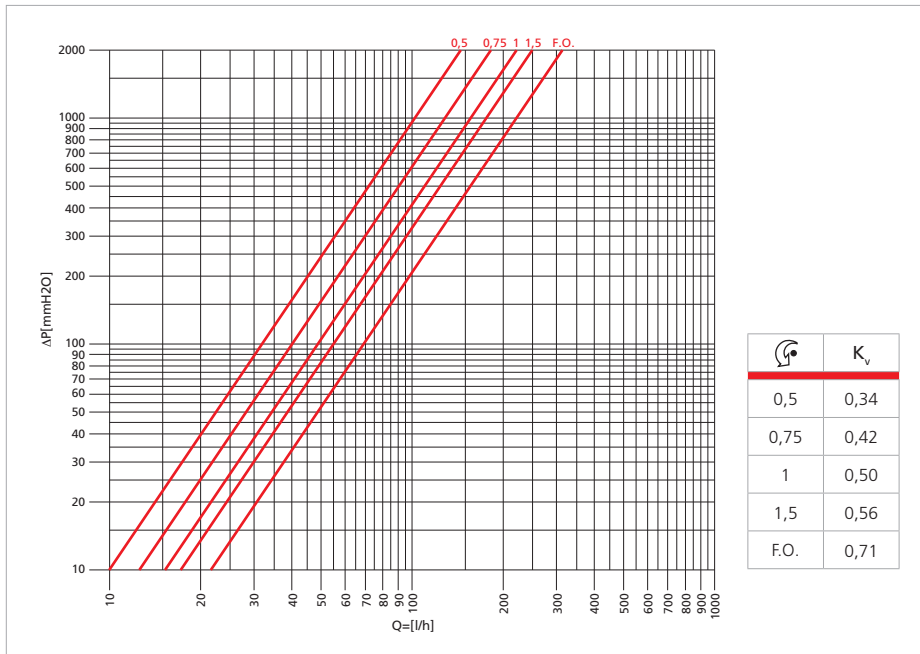


R440



▶ $\Delta T = 2K$

R438 R438-1



▷ $\Delta T = 2K$



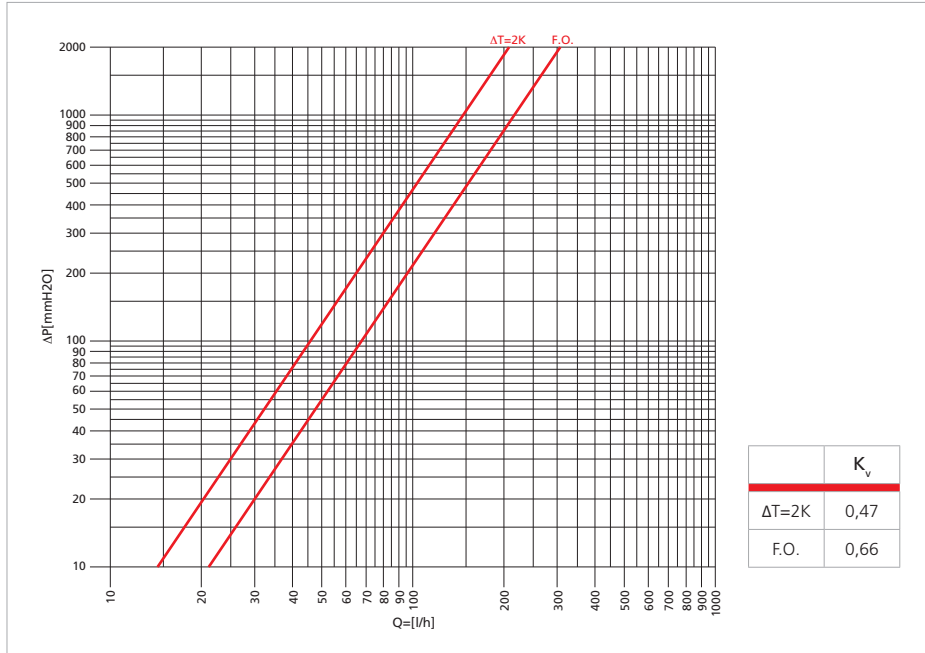
0006/5



IT-3995

R304T
R304N/R324N

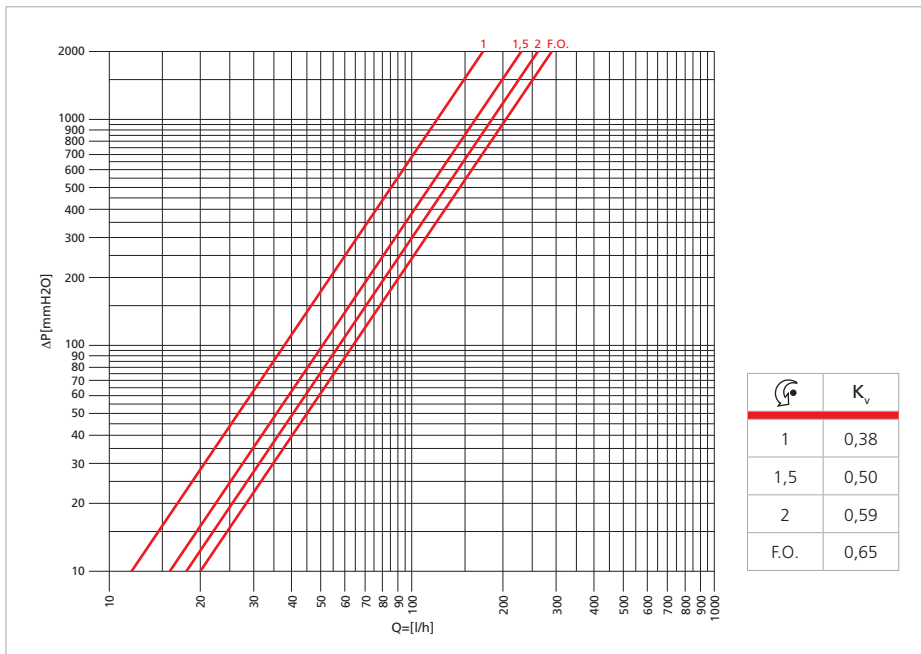
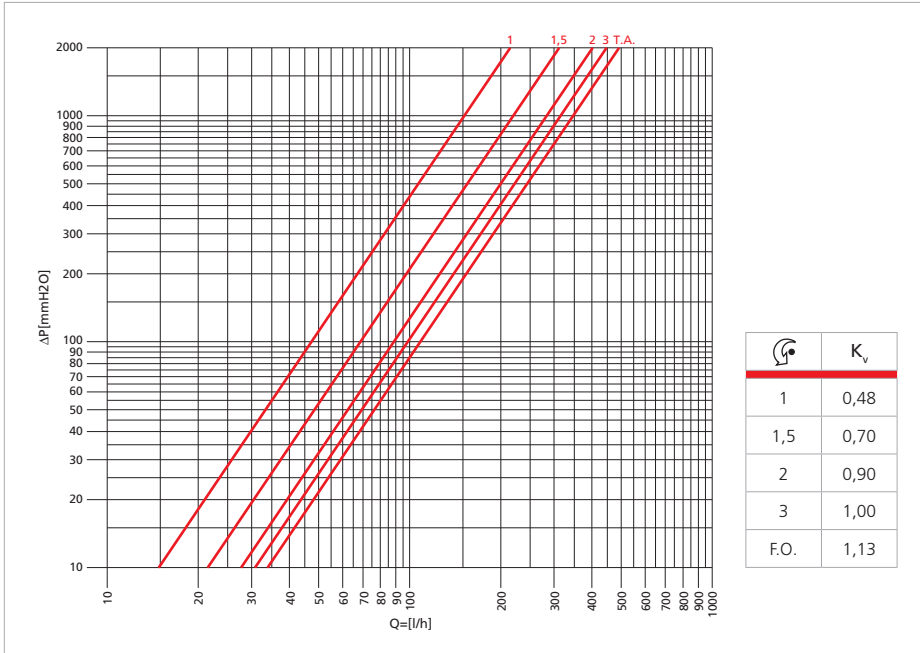
R438M



► F.O.

► $\Delta T=2K$

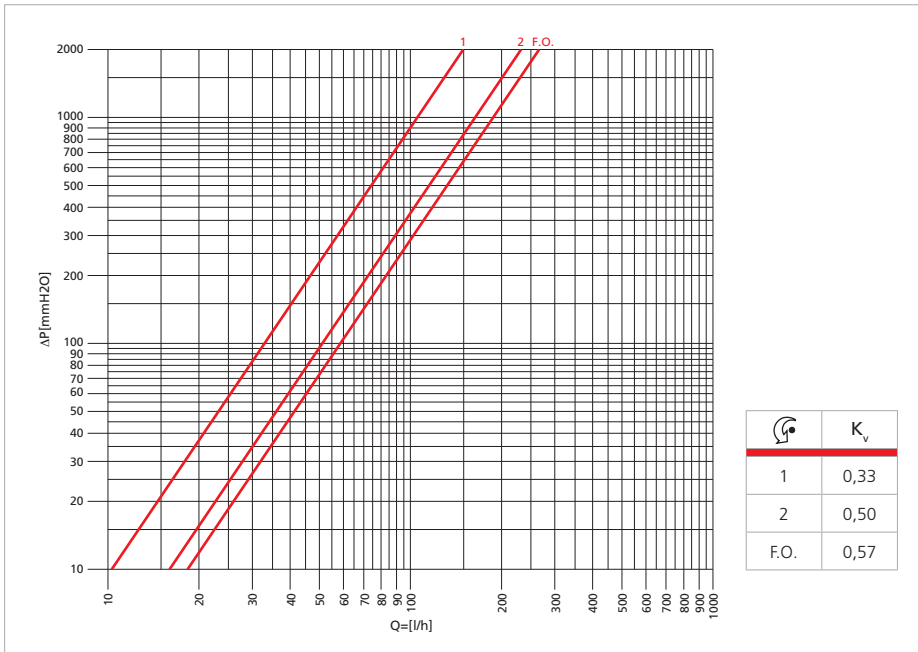
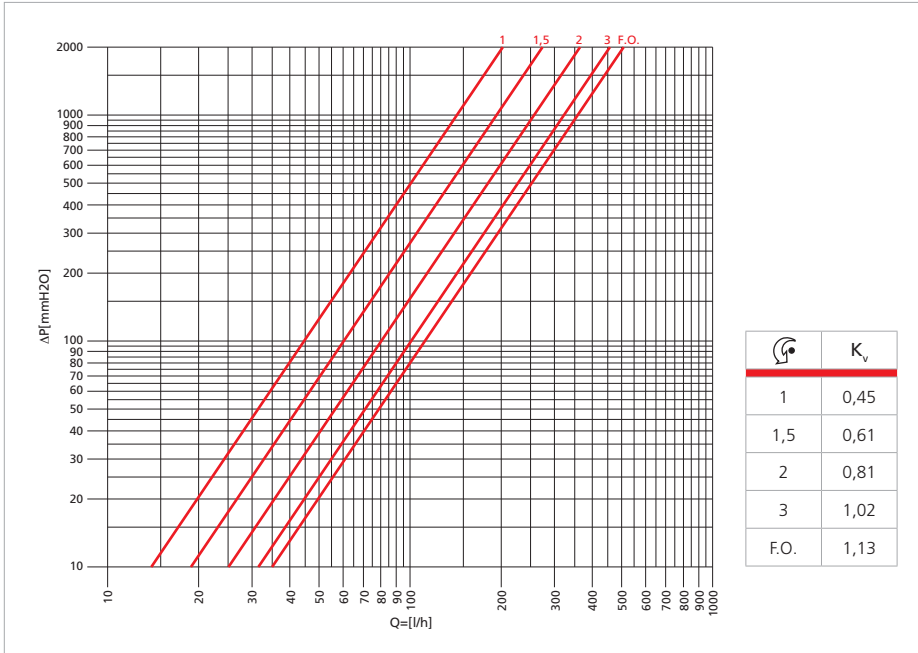
R356B R356B1



$T_{\Delta}=2K$

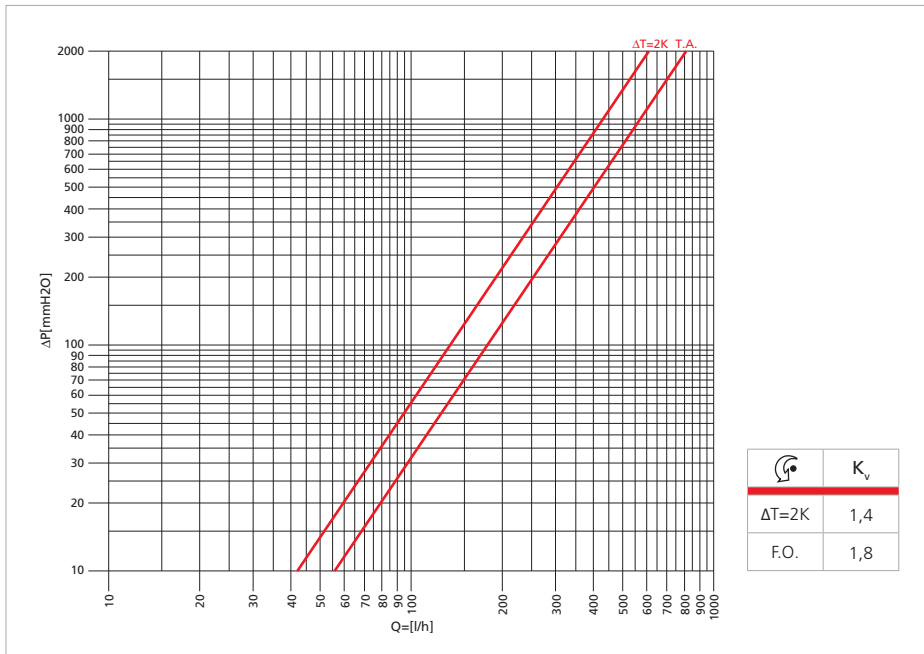


R357B R358B R357B1 R358B1



T_Δ=2K

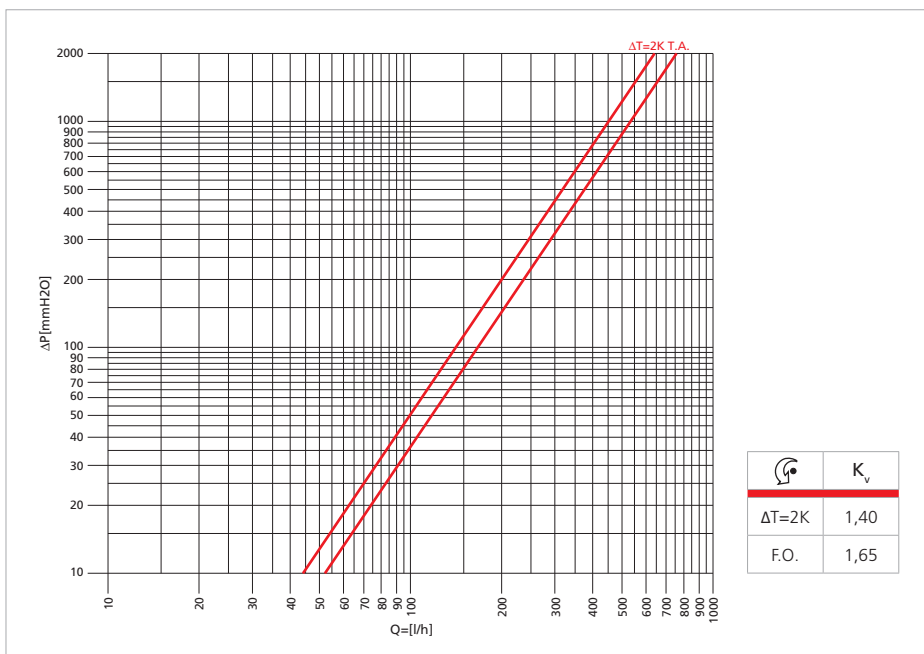
R437



► F.O.

► $\Delta T=2K$

R436 R436-1

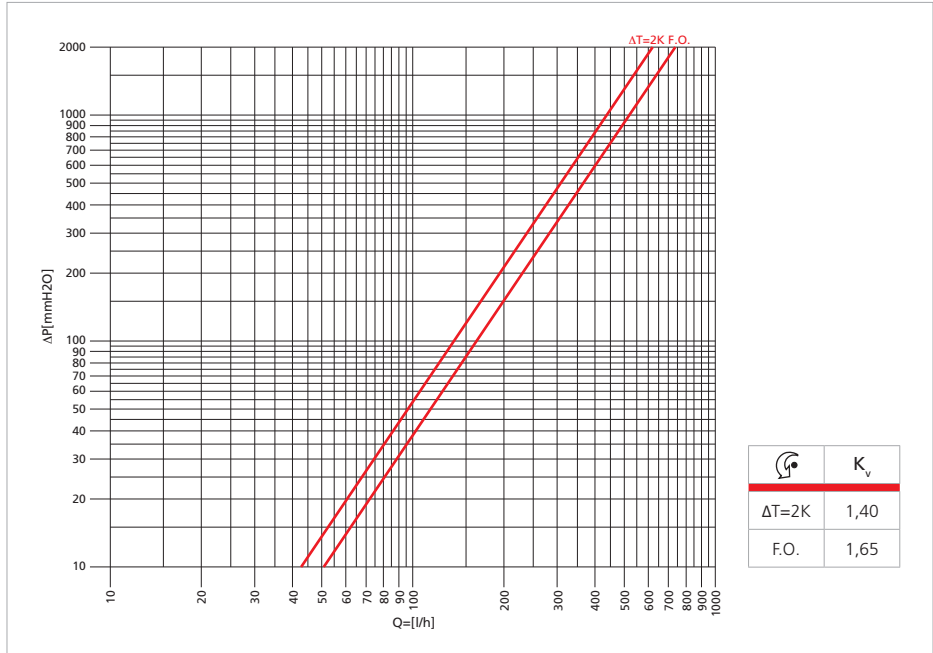


► T.A.

► $\Delta T=2K$



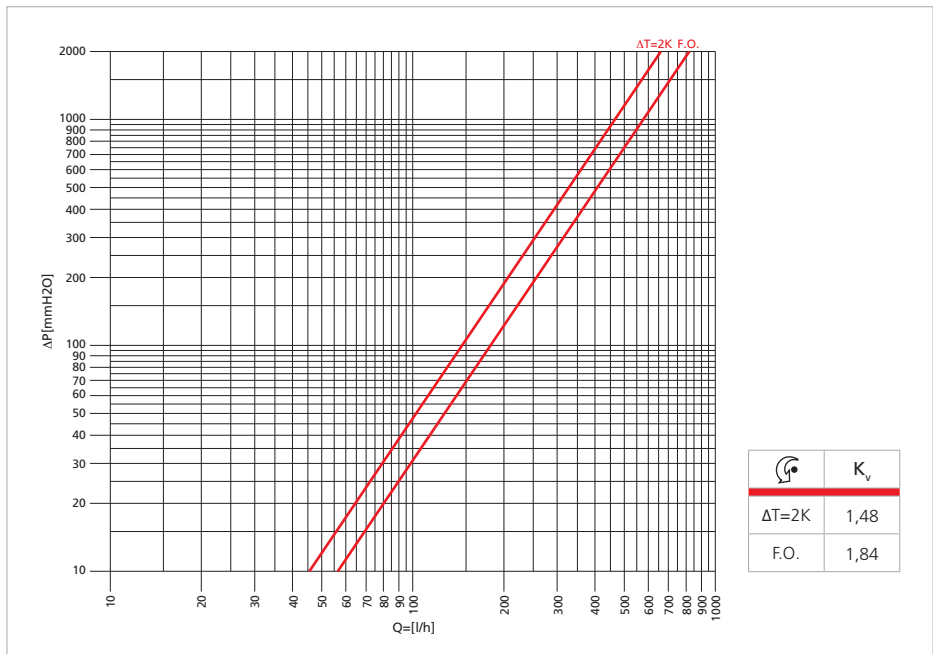
R436M R436M-1



► F.O.

► $\Delta T=2K$

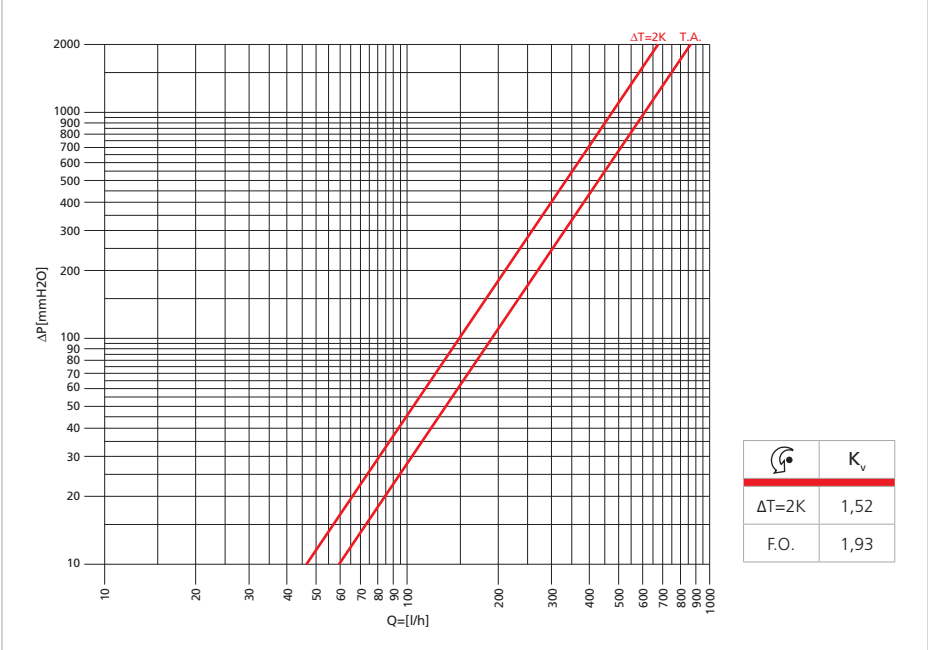
R356M R356M1



► F.O.

► $\Delta T=2K$

R357M R357M1 R358M R358M1



► F.O.

► $\Delta T=2K$



R304T
R304N/R324N

R304T

R304T

R304

2-3 mm

2/3

(2m),



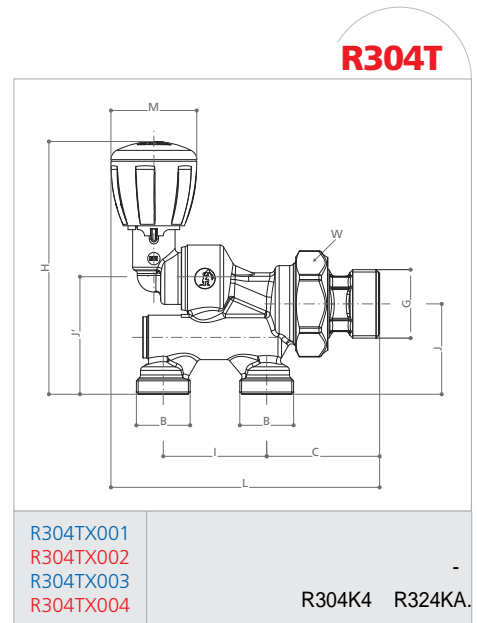
- :110°C
- : 1 MPa (10 bar)
- : 0,14 MPa (1,4 bar)
- - F.O. :47%
- - :33%



0° 180°

R178, R178C, R179 R179AM

| | GxB |
|-----------|--------------------|
| R304TX001 | 1/2"x16 3/4"x16 |
| R304TX002 | 1/2"x18 3/4"x18 |
| R304TX003 | 1"x16 |
| R304TX004 | 1"x18 |



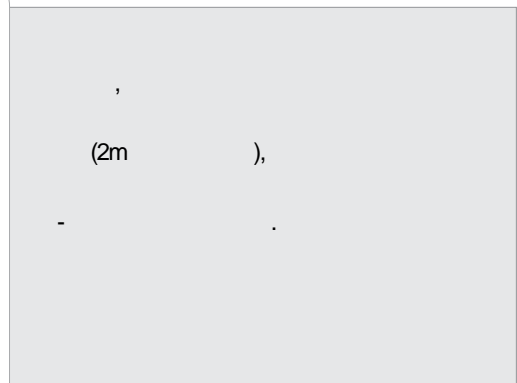
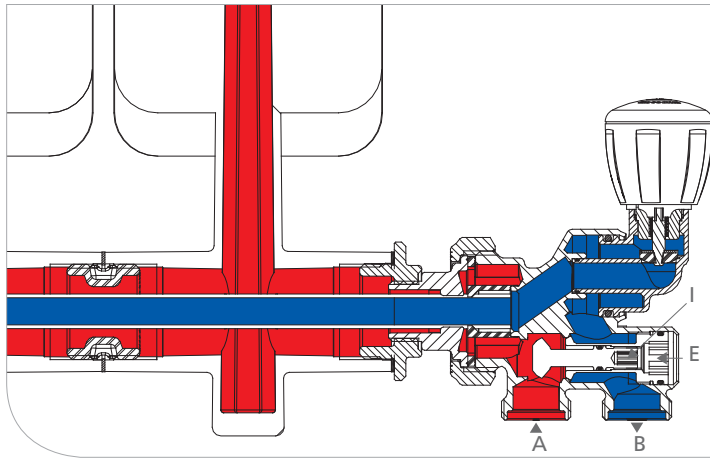
| | GxB | I | J | J' | L | C | H | M | W | Ø |
|-----------|-----------|----|----|----|-----|----|-----|----|----|----|
| R304TX011 | 1/2"x16 | 35 | 38 | 50 | 115 | 51 | 116 | 42 | 46 | 11 |
| R304TX012 | 1/2"x18 | 50 | 44 | 56 | 125 | 51 | 122 | 42 | 46 | 11 |
| R304TX013 | 3/4"x16 | 35 | 38 | 50 | 116 | 53 | 116 | 42 | 46 | 12 |
| R304TX014 | 3/4"x18 | 50 | 44 | 56 | 126 | 53 | 122 | 42 | 46 | 12 |
| R304TX015 | 1"dx x16 | 35 | 38 | 50 | 118 | 53 | 116 | 42 | 46 | 14 |
| R304TX016 | 1"sx x 16 | 35 | 38 | 50 | 118 | 53 | 116 | 42 | 46 | 14 |
| R304TX017 | 1"dx x18 | 50 | 44 | 56 | 128 | 53 | 122 | 42 | 46 | 14 |
| R304TX018 | 1"sx x 18 | 50 | 44 | 56 | 128 | 53 | 122 | 42 | 46 | 14 |

R171C R171P 12



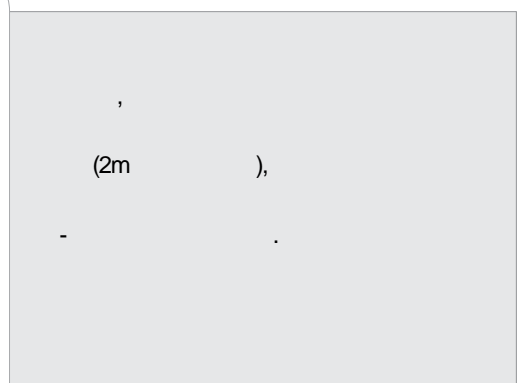
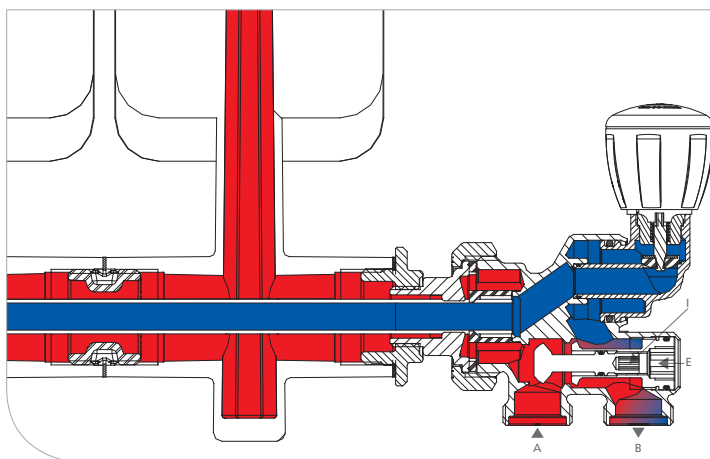
R304T
R304N/R324N

R304 (), 10mm (l), 4mm.
2-3 mm R304 ,
3/4



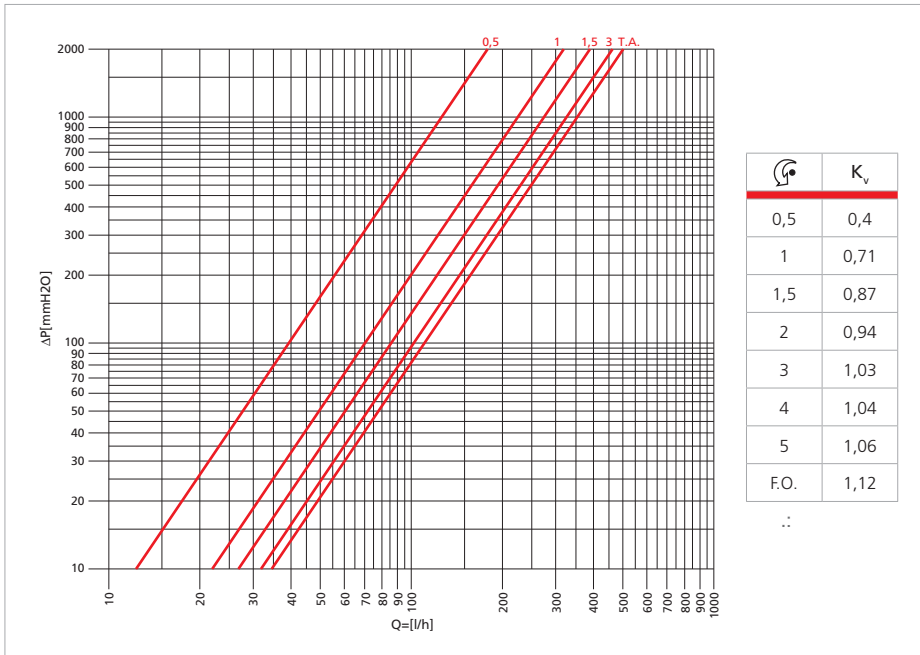
(2m) ,

R304 (), 10mm (l), 4mm.
2-3 mm R304 ,
3/4



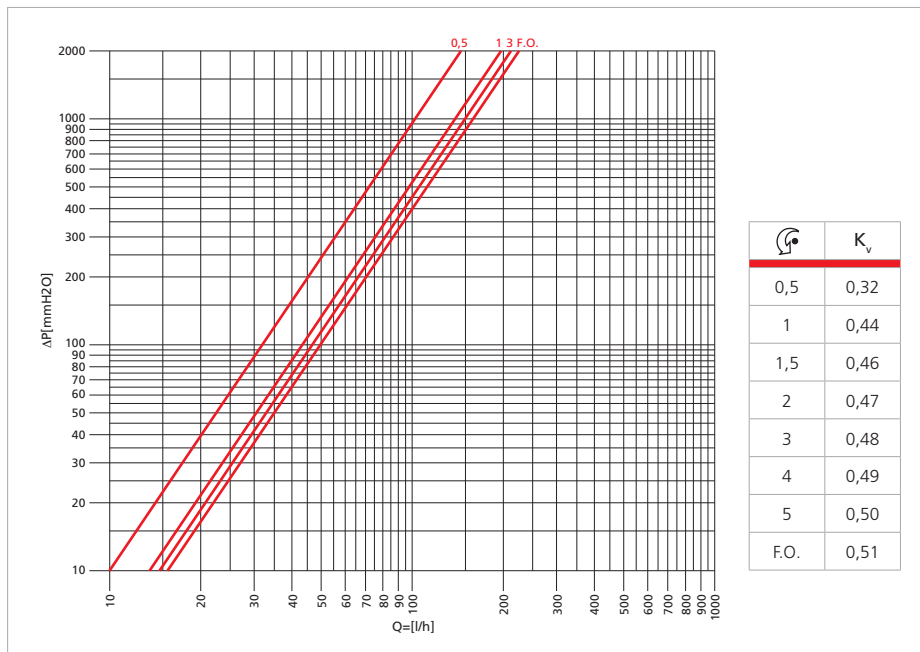
(2m) ,

R304T -



R304T -

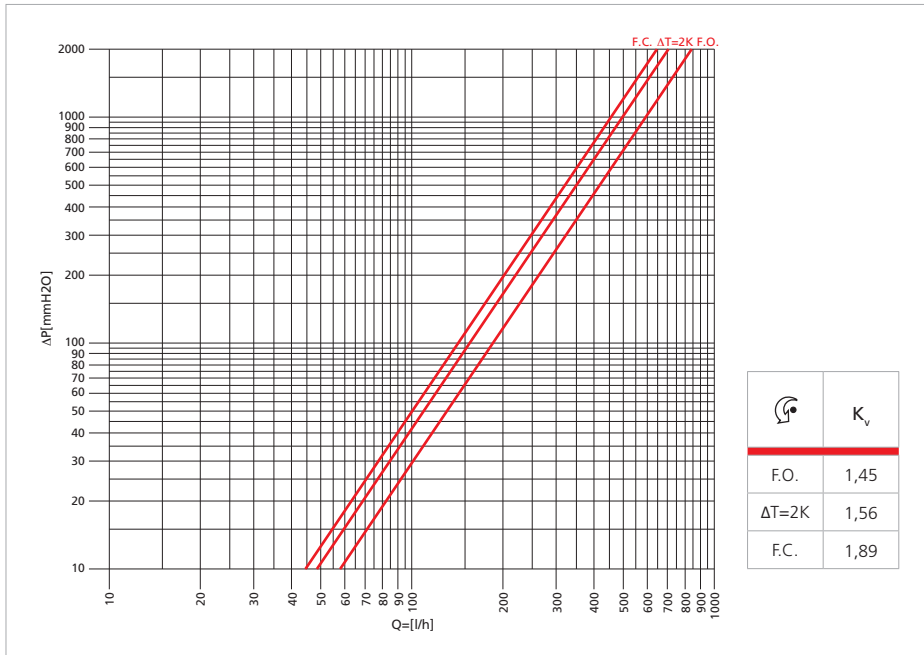
$\Delta T=2K$





R304T
R304N/R324N

R304T -



► F.O.

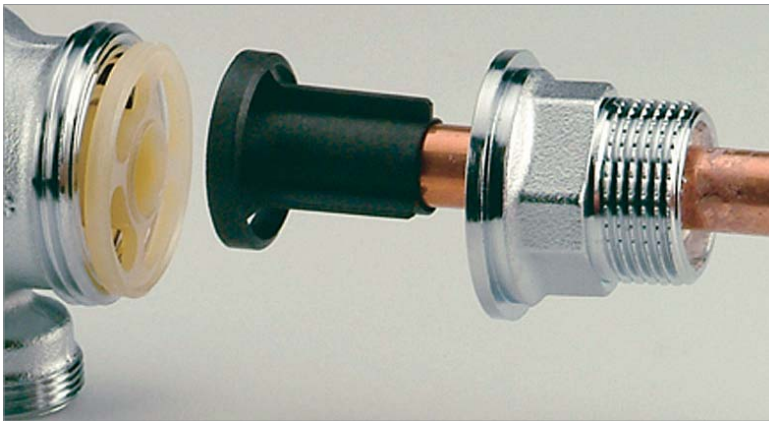
► ΔT=2K

► F.C.

R304N/R324N

GIACOMINI R304N R324N

0% 100%



R304N R324N

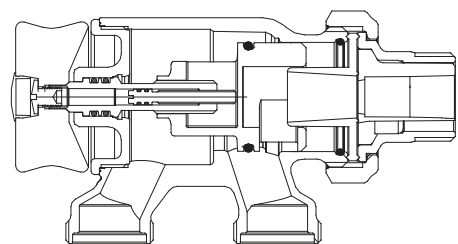
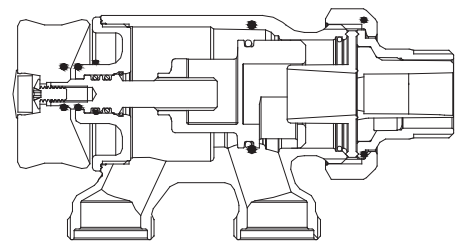
P16S.

R304N

0% 100%

R324N

0% 100%



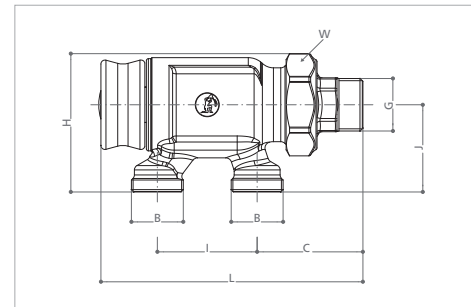


- : 110°C
- : 1 MPa (10 bar)

R304N



R178, R178C, R179 R179AM



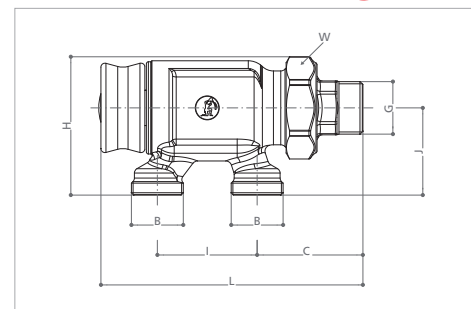
| | GxB | I | J | H | L | C | W | Kv | Ø |
|-----------|-----------|----|----|----|-----|----|----|------|----|
| R304NX011 | 1/2"x16 | 35 | 38 | 64 | 126 | 52 | 46 | 1,80 | 11 |
| R304NX012 | 1/2"x18 | 50 | 44 | 69 | 131 | 52 | 46 | 1,80 | 11 |
| R304NX013 | 3/4"x16 | 35 | 38 | 64 | 127 | 53 | 46 | 1,80 | 12 |
| R304NX014 | 3/4"x18 | 50 | 44 | 69 | 132 | 53 | 46 | 2,10 | 12 |
| R304NX015 | 1"sx x16 | 35 | 38 | 64 | 129 | 55 | 46 | 2,50 | 14 |
| R304NX016 | 1"sx x 18 | 50 | 44 | 69 | 134 | 55 | 46 | 2,50 | 14 |
| R304NX017 | 1"dx x16 | 35 | 38 | 64 | 129 | 55 | 46 | 2,50 | 14 |
| R304NX018 | 1"dx x 18 | 50 | 44 | 69 | 134 | 55 | 46 | 2,50 | 14 |

: 47 mm

R324N



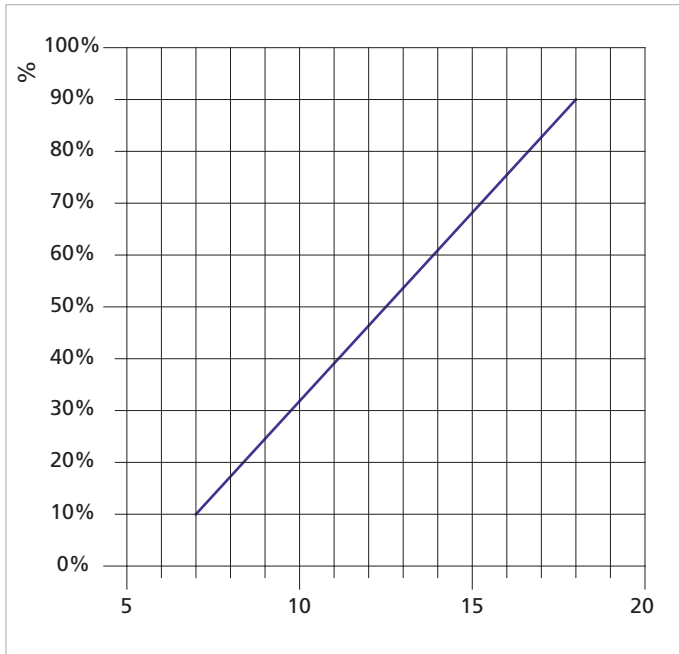
R178, R178C, R179 R179AM



| | GxB | I | J | H | L | C | W | Kv | Ø |
|-----------|-----------|----|----|----|-----|----|----|------|----|
| R324NX011 | 1/2"x16 | 35 | 38 | 64 | 126 | 52 | 46 | 1,80 | 11 |
| R324NX012 | 1/2"x18 | 50 | 44 | 69 | 131 | 52 | 46 | 1,80 | 11 |
| R324NX013 | 3/4"x16 | 35 | 38 | 64 | 127 | 53 | 46 | 1,80 | 12 |
| R324NX014 | 3/4"x18 | 50 | 44 | 69 | 132 | 53 | 46 | 2,10 | 12 |
| R324NX015 | 1"sx x16 | 35 | 38 | 64 | 129 | 55 | 46 | 2,50 | 14 |
| R324NX016 | 1"sx x 18 | 50 | 44 | 69 | 134 | 55 | 46 | 2,50 | 14 |
| R324NX017 | 1"dx x16 | 35 | 38 | 64 | 129 | 55 | 46 | 2,50 | 14 |
| R324NX018 | 1"dx x 18 | 50 | 44 | 69 | 134 | 55 | 46 | 2,50 | 14 |

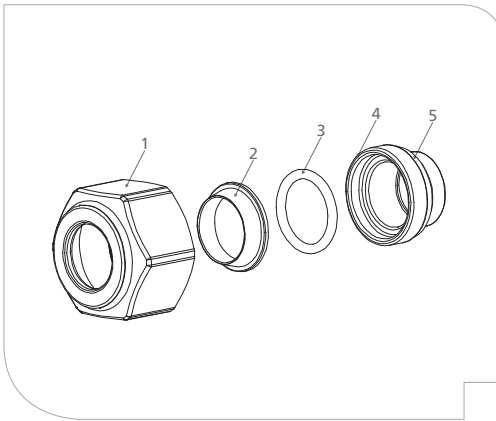
: 47 mm

▸ R324N





► R178 -

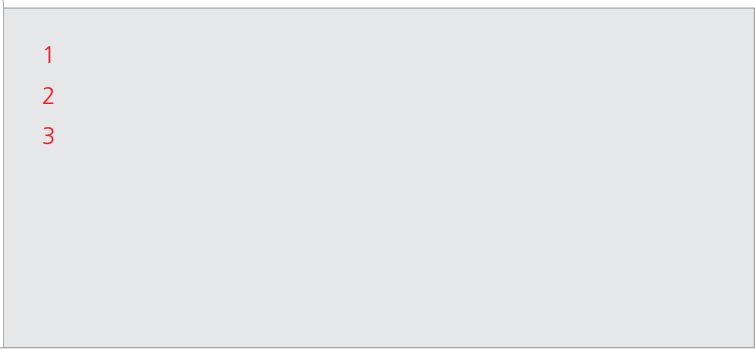
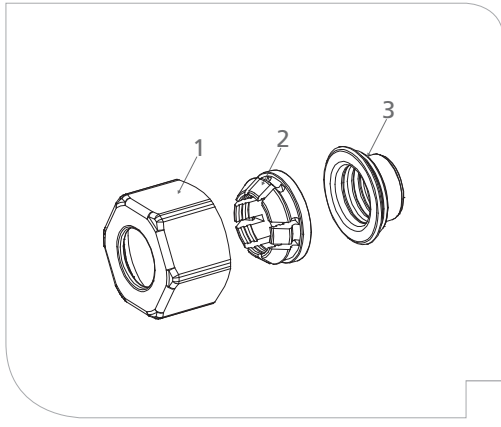


| | |
|---|---|
| 1 | |
| 2 | |
| 3 | - |
| 4 | |
| 5 | - |

- 1.
- 2.
- 3.
- 4.
- 5.
- 6.

(-).

► R178C -

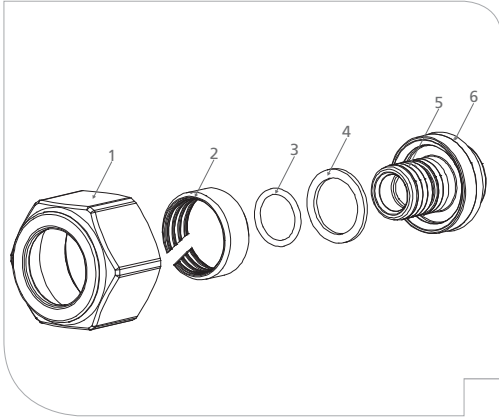


- 1.
- 2.
- 3.
- 4.
- 5.
- 6.

()



► R179AM



- 1
- 2
- 3
- 4
- 5
- 6

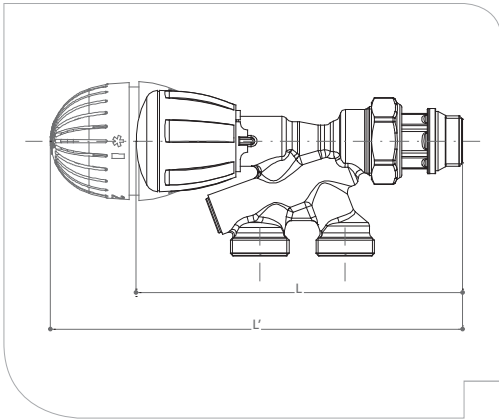
(R179AM)

1. R990 (RP204.
).
2. :
RP205;
RP209 ();
3. (R179AM)
4. -
5. (4)

CLIP CLAP

R450TG

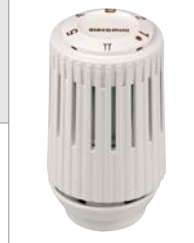
GIACOMINI



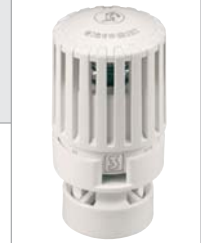
| | R470X001 | R456X101 | R452X101 |
|--------|----------|----------|----------|
| L' - L | 35 | 40 | 35 |



R470

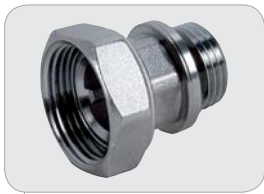


R456



R452

R147N.



P15TG-5

R440 R437

| | |
|-----------|-----------|
| P15TGX043 | 1/2" x 12 |
|-----------|-----------|



P15TG-6

R356B1,
R356M1, R357B1, R357M1,
R358B1 R358M1

| | |
|-----------|-----------|
| P15TGX044 | 1/2" x 12 |
|-----------|-----------|



P15TG

R438, R438-1,
R438M-1, R436, R436-1, R436M
R436M-1

| | |
|-----------|------|
| P15TGX004 | 1/2" |
|-----------|------|



R125C

R438-1,
R438M-1, R436-1 R436M-1

| | |
|-----------|------|
| R125CX003 | 1/2" |
|-----------|------|



R304T
R304N/R324N

P15-4



R304T



P18LX005

| | | |
|---------|------------|--|
| | | |
| P15X043 | 1/2" x 11 | |
| P15X044 | 3/4" x 12 | |
| P15X045 | 1" dx x 14 | |
| P15X046 | 1" sx x 14 | |

P15-7



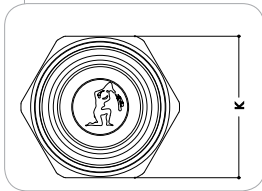
R304N R324N



P18LX005

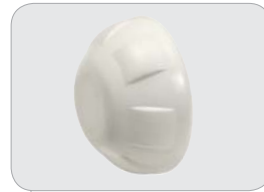
| | | |
|---------|------------|--|
| | | |
| P15X033 | 1/2" x 11 | |
| P15X034 | 3/4" x 12 | |
| P15X035 | 1" dx x 14 | |
| P15X036 | 1" sx x 14 | |

P26A



| | | |
|----------|------|----|
| | | K |
| P26AX002 | 3/8" | 27 |
| P26AX003 | 1/2" | 30 |

P26A



| | |
|----------|------|
| | |
| P26PY012 | 3/8" |
| P26PY013 | 1/2" |

P16-3



R437

R440

| | |
|---------|-----------|
| | |
| P16Y003 | 1/2" x 12 |

P16-2



R356B,
R356M, R357B, R357M, R358B
R358M

| | |
|---------|------|
| | |
| P16Y002 | 3/4" |



P16-1

R356B1,
R356M1, R357B1, R357M1,
R358B1 R358M1

| | |
|---------|-----------|
| P16Y001 | 1/2" x 12 |
|---------|-----------|



P16-6

R304T

| | |
|---------|-----------|
| P16Y006 | 1/2" x 11 |
| | 3/4" x 12 |
| P16Y007 | 1" x 14 |



P16-5

R324N
R304N

| | |
|---------|------------------|
| P16Y005 | 1/2" - 3/4" - 1" |
|---------|------------------|



P16S

324N
340N

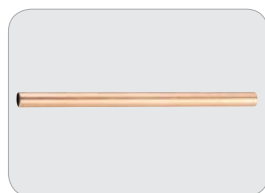
| | |
|----------|-----------|
| P16SY001 | 1/2" x 11 |
| P16SY002 | 3/4" x 12 |
| P16SY003 | 1" x 14 |



R194

16 mm

| | |
|----------|------------|
| R194X002 | ø16x600mm |
| R194X003 | ø16x900mm |
| R194X004 | ø16x1000mm |
| R194X005 | ø16x1200mm |



R171C

450 mm

| | |
|-----------|-----|
| R171CY001 | ø11 |
| R171CY002 | ø12 |
| R171CY003 | ø14 |



R171P

450 mm

| | |
|-----------|-----|
| R171PY001 | ø11 |
| R171PY002 | ø12 |
| R171PY003 | ø14 |



GIACOMINI SPA
Via per Alzo,39
28017 San Maurizio d'Opaglio (NO) ITALY
tel. 0322 923111 - fax 0322 96256
e-mail: info@giacomini.com
internet: www.giacomini.com

“ ” 253
“ ”
/ : 02 / 85 69 174
.: +359 878 20 55 33
sales@terratherm-bg.com
www.terratherm-bg.com